

# HX220A L

With EU Stage V Engine installed

\* Photo may include optional equipment.



Head Office(Sales Office)  
14F, GLOBAL R&D CENTER, 477 BUNDANG SUSEO-RO, BUNDANG-GU, SEONGNAM-SI, GYEONGGI-DO, 13553, KOREA

PLEASE CONTACT

**Gross Power**  
173 HP(129 kW) at 2,200 rpm

**Net Power**  
170 HP(127 kW) at 2,200 rpm

**Bucket Capacity**  
0.80 ~ 1.34 m<sup>3</sup>

**Operating Weight**  
22,280 kg/ (49,120 lb)

# WHAT'S NEWEST AND BEST

HX220A L

## THE BEST PRODUCTIVITY AND FUEL EFFICIENCY

- EU STAGE V Engine **NEW**
- Eco Report **NEW**
- Lifting Mode **NEW**
- EPFC System **NEW**
- Fuel Rate Information
- Eco Gauge
- Automatic Engine Shutdown

## ULTIMATE DURABILITY

- Side Protector **Option**
- ROPS / FOG Cabin
- Reinforced Durability of Upper and Lower Structure and Attachments
- Durable Cooling Module

## EASY CONTROL AND COMFORTABLE OPERATION

- Key On Init Work Mode **NEW**
- Visibility and Handle Improvement **NEW**
- One Pedal Travel Straight **Option**
- Proportional Auxiliary Hydraulic System **Option**
- 2 Way Proportional RCV & Pedal Control Selection **Option**
- Fine (Cushion/Free) Swing Control **Option**
- Intelligent & Wide Cluster
- Jog Dial Module
- OME(Owner Menu Editing)
- Combination Speed



## THE ULTIMATE SAFE ENVIRONMENT

- Auto Safety Lock **NEW**
- Electronic Swing Parking Brake Control **NEW**
- AAVM **Option**
- Seatbelt Warning Alarm
- Cabin Suspension Mount

## SERVICEABILITY AND TELEMATICS

- ECD(Engine Connected Diagnostics) **NEW**
- Hi MATE **Option**
- Urea Tank Cover **Upgrade**
- Mobile Fleet App.
- Connected Diagnostics

\* Photo may include optional equipment.

# THE BEST PRODUCTIVITY AND FUEL EFFICIENCY

HX A Series is equipped with eco-friendly, high-performance engines that meet the EU Stage V emission requirements.

## MORE FUEL-EFFICIENCY

(Compared to HX220L at P mode)

Truck Loading **24%**  
Faster Leveling **29%**



\* Photo may include optional equipment

## Eco Report **NEW**

It reports the excavator's inefficient operation status and help improving operator's working habit.



## Lifting Mode

This work mode improves fine operability and lift capability through RPM reduction, power boost activation and pump flow control.

## Fuel Rate Information

Fuel information is displayed as average rate and latest fuel consumed for guiding to economy operating.



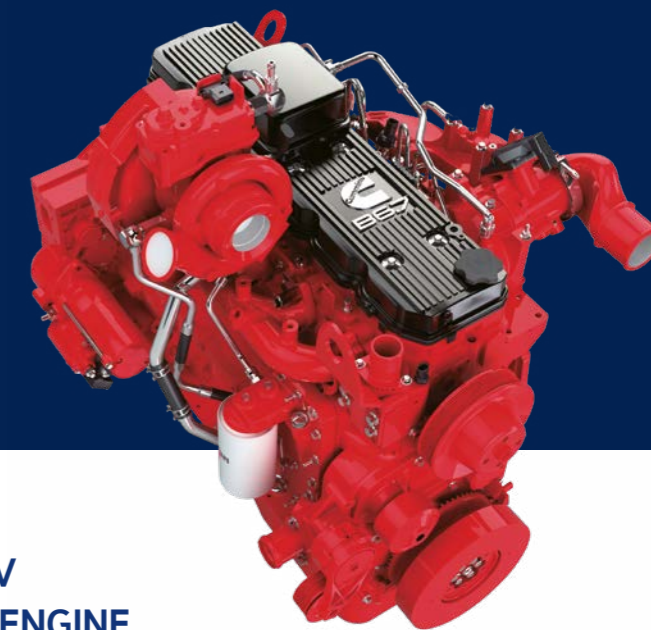
## Eco Gauge

Gauge level changes in accordance with engine working load and color indicates fuel saving-operation status.



## Automatic Engine Shutdown

Adjustable 'Automatic Engine Shutdown' significantly reduces idle time, overall operating hours and fuel consumption.

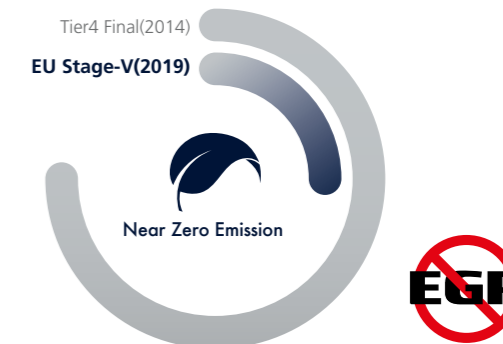


## EU STAGE V CERTIFIED ENGINE

Cummins B6.7 engine is satisfying the most strict environmental emission regulation in the world. (Reduction in PM 60%)

## EU STAGE V Engine **NEW**

Now in its fourth decade of continuous improvement, the B6.7 for 2019 features an EGR-free design that delivers 5 percent more power and 31 percent more peak torque than the current model. Increased fuel economy and longer maintenance intervals contribute to a reduced cost of operation.



## EPFC System (Electric Positive Flow Control) **NEW**

The advanced hydraulic system and controls based on electric positive flow control system achieve the lowest fuel consumption and improved fine control. Pump power is precisely variable controlled through recognition of lever manipulation amount and specific complex operations.



# ULTIMATE DURABILITY

The true value of HX A Series lies in its durability and high productivity. The robust upper and lower frame structure can endure external shock and heavy work loads. Attachment performance has been proven through rigorous field testing. No matter how tough the working environment is, you can always rely on the HYUNDAI Excavator A Series.



\* Photo may include optional equipment.



We make the best performance in rough working conditions without any unsureness with trustworthy HX220A L.



HX A Series is equipment with eco-friendly, high-performance engines that meet the EU Stage V emission requirement. Become a true leader on the ground with HX A Series.

## ROPS / FOG Cabin

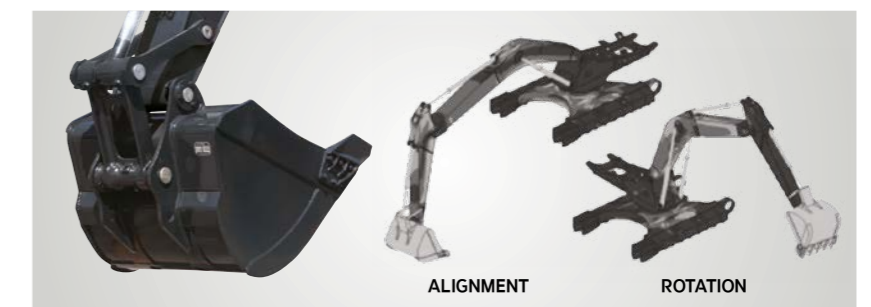
The cabin structure of Hyundai HX A Series is using integrally welded low-stress, high strength steel to meet ROPS and FOG certification.

- ROPS : Roll-Over Protective Structures ISO12117-2
- FOG : Falling Object Guard, ISO10262 Level2



## Reinforced Durability of Upper and Lower Structure and Attachments

The upper and lower structure and attachments of HX A Series have higher durability than demanded on the site, as proven through numerous tests including road tests and virtual simulation. The wear resistance of the bucket has been improved by use of new material.



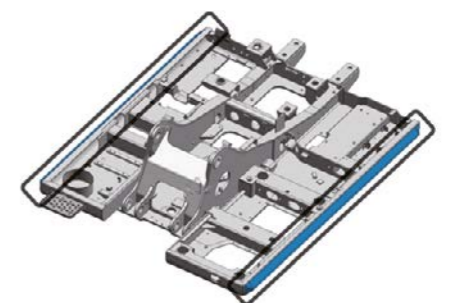
## Durable Cooling Module

HX A Series has a durable cooling module that passed stringent tests, demonstrating the highest productivity in tough working environments.



## Side Protector Option

Protect sides frame during operation in narrow area



# 13%

CABIN SPACE FOR DRIVERS INCREASED BY



310mm  
340mm

## EASY CONTROL AND COMFORTABLE OPERATION

Many electronic functions are concentrated in the most convenient spot for operators to improve work efficiency. The highly-advanced infotainment system, a product of HCE's intensive information technology development, enables both productivity and comfort while working! HX A Series is designed with the operator in mind.

\* Photo may include optional equipment.

### Intelligent & Wide Cluster

The 8" capacitive-type display (like smartphone display) of HX A Series is delivering excellent legibility. The centralized switches on the display allow convenience of checking the urea level and temperature outside the cabin.

### One Pedal Travel Straight Option

One Pedal straight Travel is available for customers' convenience when long distance traveling or combination of attachment work with traveling is necessary.



### Proportional Auxiliary Hydraulic System Option

Proportional control switch with better speed control helps operators to enlarge the operation convenience whenever they do time-consuming work. Newly added detent function allows an operator to continue using 2 way piping flow even if the operator does not keep pressing proportional control switch.

### Jog Dial Module

The integrated jog dial module applies to the accelerator, remote air conditioner controller and operation of the cluster, allowing convenient operation. In the event of failure of the jog dial module, the emergency mode is activated on the cluster to ensure fail-safe function.



### Key On Init Work Mode NEW

Operator can maintain previously set about attachment mode when starting.



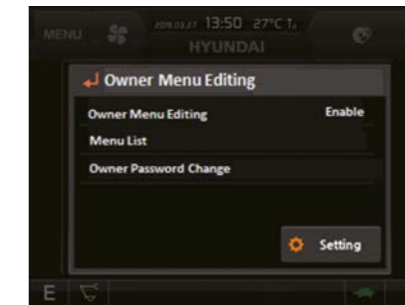
### Visibility and Handle Improvement NEW

Visibility through cabin door is improved and handle design on the cabin door is also improved and offers better convenient while operator get on and off the cabin.



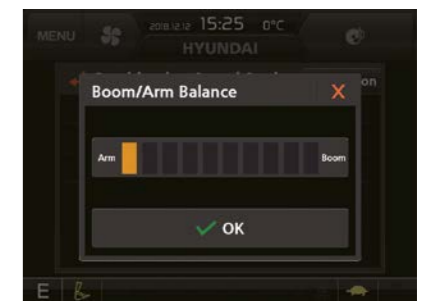
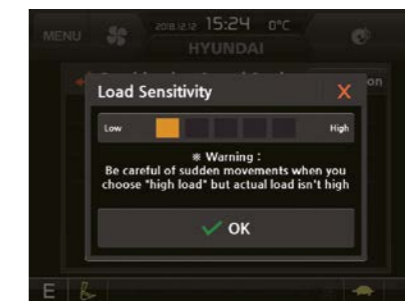
### OME (Owner Menu Editing)

The Owner of machine can restrict operators access the set of functions. In the menu, Owner can set the list of the function to lock or unlock it. It is necessary to input the password to access the set of function.



### Combination Speed

Operator can set load sensitivity level, boom priority level against arm and swing. Load sensitivity is controlled by 5 levels of initial flow rate for boom-up and arm-i operation according to attachment weight. Boom priority against arm and swing can be set 10 levels of boom priority against arm and swing.



## // HX220A L with advanced technology ensures our safety on a construction site. //

HX A Series excavators are products of HCE's spirit of initiative, creativity, and strong drive. HCE engineers, who are the best in the industry, have worked tirelessly to offer a zero-defect product. The new HX A Series reflects customers' needs in the field gleaned by thorough monitoring.

### Auto Safety Lock NEW

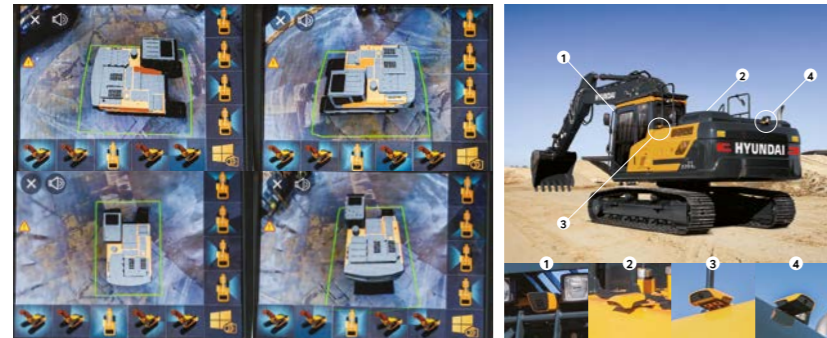
It prevents unintended operation. If operator unlock safety lever when RCV lever is pressed, excavator is not controlled by RCV lever.



### AAVM(Advanced Around View Monitoring) Camera System Option

HX A Series has a state-of-the-art AAVM video camera system to secure field of vision for operators in all directions, thereby preventing accidents. Operators can easily check the workplace in the front and rear and to the right and left.

- **AAVM**(Advanced Around View Monitoring) : Secure field of vision in all directions by nine views including 3D bird's eye view and 2D/4CH view.
- **IMOD**(Intelligent Moving Object Detection) : Inform when people or dangerous objects are detected within the range of operation(recognition distance : 5 m).



### Seatbelt Warning Alarm

If the seatbelt is not buckled when the ignition key is turned, an alarm is triggered in intervals along with a continuous visual alert. This emphasises our priority for operator safety.

### Cabin Suspension Mount

With a low-vibration design by the coil spring and damper inside the mount, the cab suspension mount of HX A Series reduces noise inside the cabin and improves durability, providing a comfortable operation space that lessens operators' fatigue.

# THE ULTIMATE SAFE ENVIRONMENT

The true value of HX A Series lies in its durability. The robust frame structure and the attachments show the real value of HX A Series in tough working environments and promise higher productivity.



OBJECT DETECTION

\* Photo may include optional equipment.

# SERVICEABILITY AND TELEMATICS

IoT / ICT / AI-based digital technology.  
Creating a smart construction site. Maximizes connectivity, productivity, and safety for successful businesses.



## Hi MATE

Option

### IT'S CONVENIENT, EASY AND VALUABLE

Hi MATE Hyundai's newly developed remote management system, utilizes GPS-satellite technology to provide customers with the highest level of service and product support available. Hi MATE enables users to remotely evaluate machine performance, access diagnostic information, and verify machine locations at the touch of a button.

### WHAT IS BENEFITS



#### Increase Productivity

It helps you operate machines in efficient. You can check the difference between total engine hours and actual working hours. See how productive your machines are and plan any required cost saving solutions. Hi MATE offers working information such as working / idling hours, fuel consumption and rate.



#### Convenient and Easy Monitoring

There is nothing much to do to monitor your machines. Just log on to the Hi MATE website or mobile application. Hi MATE allows you to watch your machines whenever and wherever you are.



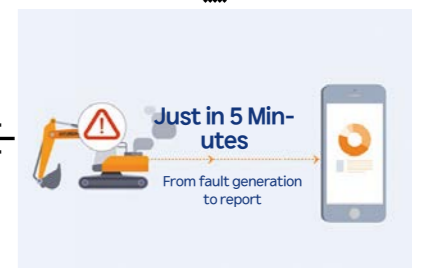
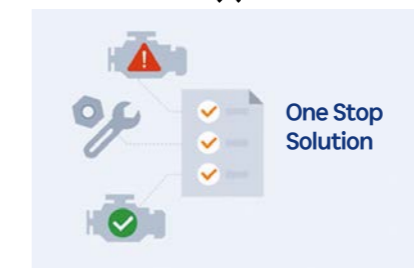
#### Security

Protect your machines from theft or unauthorized usage with Hi MATE. If the machine moves out of the Geofence boundary, you will get alerts.

\* Photo may include optional equipment.

### ECD(Engine Connected Diagnostics) **NEW**

It supports service technician with remote diagnostics report and ensure it arrive on site with proper tools after preparing in advance.



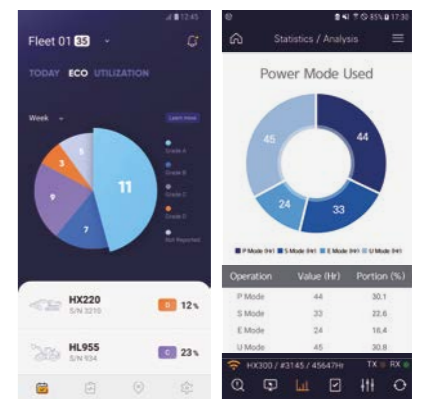
### Urea Tank Cover **Upgrade**

Urea Tank Cover with full open type help operator fill urea into the tank directly and more conveniently.



### Mobile Fleet App.

The new Mobile App is optimized to fleet management. It provides productivity, health insights based on telematics technology and enables fleet owner just focus on most wanted equipment in view of economical usage, utilization, fault codes and maintenance. The new Mobile App sorts equipment in order of eco-index, utilization-index and fault code level automatically so that urgent equipment pops up automatically.



Hi MATE Fleet App HCE-DT AIR App

### Connected Diagnostics

HCE-DT Air connect you and your equipment wirelessly via smartphone and laptop right on site. You can diagnose root causes and troubleshoot for fault codes through the connection. Engine connected diagnostics is a kind of cooperated remote diagnostics service between Cummins cloud and Hi MATE cloud. It enables you get engine diagnostics report by cloud based fault code analysis in real-time and prepare parts, tools necessary in advance. It will help increase first visit fix rates.

# HX220A L SPECIFICATIONS

ENGINE	
Maker / Model	Cummins B6.7
Type	Turbocharged, Charge Air Cooled, Diesel Engine
Gross Power (SAE J1995)	173 HP (129 kW) at 2,200 rpm
Net Power (SAE J1349)	170 HP (127 kW) at 2,200 rpm
Max. Power	195 HP (145kW) at 2,000 rpm
Peak Torque	881 N · m (650 lb · ft) at 1,300 rpm
Displacement	6,700 cc (408 cu in)

HYDRAULIC SYSTEM	
<b>MAIN PUMP</b>	
Type	Variable Displacement Tandem Axis Piston Pumps
Max. Flow	2 × 221lpm
Sub-Pump For Pilot Circuit	Gear Pump
Cross-sensing and fuel saving pump system.	

HYDRAULIC MOTORS	
Travel	Two speed axial pistons motor with brake valve and parking brake
Swing	Axial piston motor with automatic brake

RELIEF VALVE SETTING	
Implement Circuits	350 kgf/cm <sup>2</sup> (4,980 psi)
Travel	350 kgf/cm <sup>2</sup> (4,980 psi)
Power Boost (Boom, Arm, Bucket)	380 kgf/cm <sup>2</sup> (5,400 psi)
Swing Circuit	265 kgf/cm <sup>2</sup> (3,770 psi)
Pilot Circuit	40 kgf/cm <sup>2</sup> (570psi)
Service Valve	Installed

HYDRAULIC CYLINDERS	
No. of Cylinder Bore X Stroke	Boom: Ø120 × 1,290 mm
	Arm: Ø140 × 1,443 mm
	Bucket: Ø120 × 1,060 mm

\* Hyundai Bio Hydraulic Oil (HBHO) available.

DRIVES & BRAKES	
Drive Method	Fully Hydrostatic Type
Drive Motor	Axial Piston Motor, In-Shoe Design
Reduction System	Planetary Reduction Gear
Max. Drawbar Pull	20,800 kgf (45,860 lbf)
Max. Travel Speed (High / Low)	5.4 km/hr (3.4 mph) / 3.5 km/hr (2.2 mph)
Gradeability	35° (70%)
Parking Brake	Multi Wet Disc

CONTROL	
Pilot pressure operated joysticks and pedals with detachable lever provide almost effortless and fatigueless operation.	
Pilot Control	Two Joysticks with One Safety Lever (LH): Swing and Arm, Boom and Bucket
Traveling And Steering	Two Levers With Pedals
Engine Throttle	Electric, Dial Type

SWING SYSTEM	
Swing Motor	Fixed Displacement Axial Piston Motor
Swing Reduction	Planetary Gear Reduction
Swing Bearing Lubrication	Grease-Bathed
Swing Brake	Multi Wet Disc
Swing Speed	11.4 rpm

CAPACITIES			
	liter	US gal	UK gal
Fuel Tank	400	105.7	88
Engine Coolant	40	10.6	8.8
Engine Oil	23.1	6.1	5.1
Swing Device	6.2	1.6	1.36
Final Drive (Each)	4.5	1.2	1
Hydraulic System (Including Tank)	275	72.6	60.5
Hydraulic Tank	160	42.3	34.1
DEF/AdBlue®	48	12.6	10.5

UNDERCARRIAGE	
The X-leg type center frame is integrally welded with reinforced box-section track frames. The undercarriage includes lubricated rollers, idlers, track adjusters with shock absorbing springs and sprockets, and a track chain with double or triple grouser shoes.	
Center Frame	X - Leg Type
Track Frame	Pentagonal Box Type
No. of Shoes on Each Side	49 EA
No. of Carrier Roller on Each Side	2 EA
No. of Track Roller on Each Side	8 EA
No. of Rail Guard on Each Side	2 EA

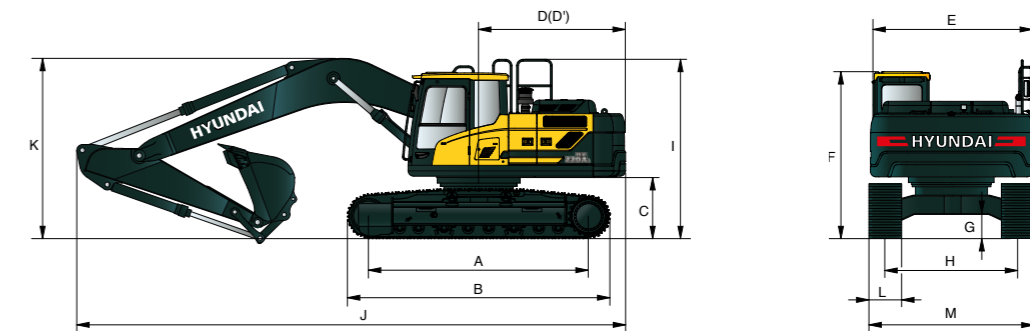
OPERATING WEIGHT (APPROXIMATE)	
Operating weight, including 5,700 mm (18' 8") boom, 2,900 mm (9' 6") arm, SAE heaped 0.92 m <sup>3</sup> (1.20 yd <sup>3</sup> ) bucket, lubricant, coolant, full fuel tank, full hydraulic tank, and all standard equipments.	

OPERATING WEIGHT				
Shoes		Operating Weight		Ground Pressure
Type	Width mm (in)	kg (lb)	kgf/cm <sup>2</sup> (psi)	
Triple Grouser	600 (24")	HX220A L	22,280 (49,120)	0.47 (6.71)
		HX220A L HW	24,410 (53,820)	0.50 (7.15)
	700 (28")	HX220A L	22,780 (50,220)	0.41 (5.82)
		HX220A L HW	24,690 (54,430)	0.44 (6.20)
	800 (32")	HX220A L	23,060 (50,840)	0.36 (5.16)
		HX220A L HW	24,970 (55,050)	0.39 (5.49)
900 (36")	HX220A LR	25,420 (56,040)	0.41 (5.79)	
	HX220A L HW	25,260 (55,690)	0.35 (4.94)	
Double Grouser	700 (28")	HX220A L HW	24,980 (55,070)	0.44 (6.25)

AIR CONDITIONING SYSTEM	
The air condition system for the machine contains the fluorinated greenhouse gas with global warming potential of R134a. (Global Warming Potential : 1,430) The system hold 0.75kg refrigerant consisting of a CO <sub>2</sub> of 1.07 metric tonnes. For more information, Please refer to the manual.	

# HX220A L DIMENSIONS & WORKING RANGE

HX220A L DIMENSIONS	
5.70 m (18' 8") BOOM and 2.0 m (6' 7"), 2.4 m (7' 10"), 2.9 m (9' 6"), 3.5 m (11' 6") ARM	



Unit : mm (ft · in)

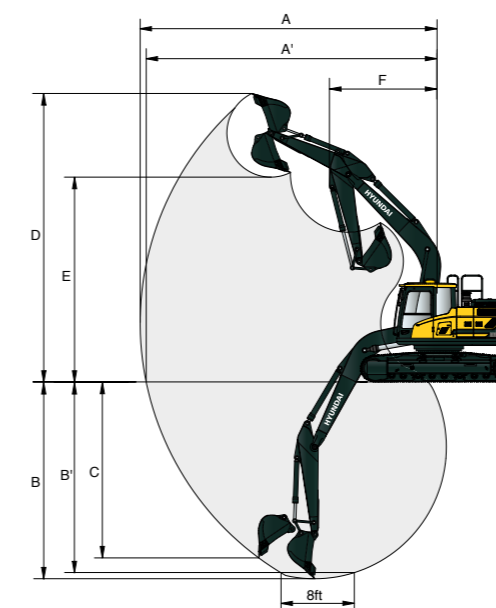
A Tumbler Distance	3,650 (12' 0")
*B Overall Length of Crawler	4,443 (14' 7")
*C Ground Clearance of Counterweight	1,115 (3' 8")
D Tail Swing Radius	2,890 (9' 6")
D' Rear-End Length	2,770 (9' 1")
E Overall Width of Upperstructure	2,740 (9' 0")
*F Overall Height of Cab	3,035 (9' 11")
*G Min. Ground Clearance	475 (1' 7")
H Track Gauge	2,390 (7' 10")
*I Overall Height of Guardrail	3,245 (10' 8")

\* This figure includes the size of grousers.

Boom Length	5,700 (18' 8")			
Arm Length	2,000 (6' 7")	2,400 (7' 10")	2,900 (9' 6")	3,500 (11' 6")
J Overall Length	9,620 (31' 7")	9,575 (31' 5")	9,550 (31' 4")	9,560 (31' 4")
*K Overall Height of Boom	3,115 (10' 3")	3,020 (9' 11")	2,960 (9' 9")	3,320 (10' 11")
L Track Shoe Width	600 (24")	700 (28")	800 (32")	900 (36")
M Overall Width	2,990 (9' 10")	3,090 (10' 2")	3,190 (10' 6")	3,290 (10' 10")

## HX220A L WORKING RANGE

Unit : mm (ft · in)

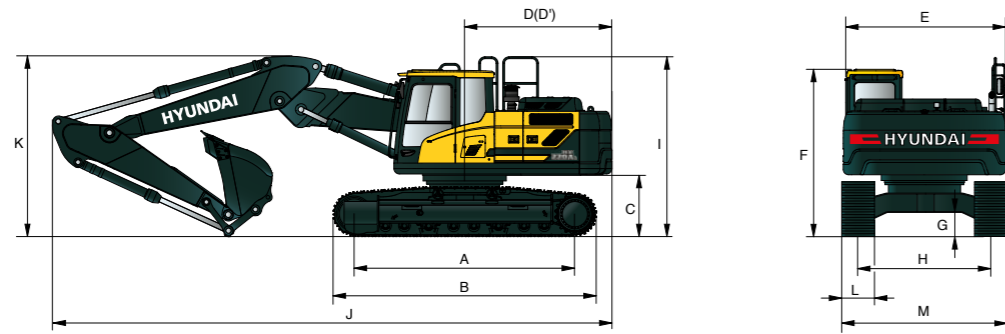


Boom Length	5,700 (18' 8")			
Arm Length	2,000 (6' 7")	2,400 (7' 10")	2,900 (9' 6")	3,500 (11' 6")
A Max. Digging Reach	9,145 (30' 0")	9,525 (31' 3")	9,945 (32' 8")	10,450 (34' 3")
A' Max. Digging Reach on Ground	8,960 (29' 5")	9,355 (30' 8")	9,780 (32' 1")	10,290 (33' 9")
B Max. Digging Depth	5,585 (18' 4")	5,990 (19' 8")	6,500 (21' 4")	7,090 (23' 3")
B' Max. Digging Depth (8' Level)	5,360 (17' 7")	5,790 (19' 0")	6,315 (20' 9")	6,935 (22' 9")
C Max. Vertical Wall Digging Depth	5,070 (16' 8")	5,445 (17' 10")	5,960 (19' 7")	6,330 (20' 9")
D Max. Digging Height	9,370 (30' 9")	9,625 (31' 7")	9,750 (32' 0")	9,890 (32' 5")
E Max. Dumping Height	6,580 (21' 7")	6,830 (22' 5")	6,990 (22' 11")	7,160 (23' 6")
F Min. Swing Radius	3,715 (12' 2")	3,400 (11' 2")	3,425 (11' 3")	3,445 (11' 4")

# HX220A L DIMENSIONS & WORKING RANGE

## HX220A L 2-PIECE BOOM DIMENSIONS

5.87 m (19' 3") 2-Piece BOOM and 2.0 m (6' 7"), 2.4 m (7' 10"), 2.9 m (9' 6") ARM



Unit : mm (ft · in)

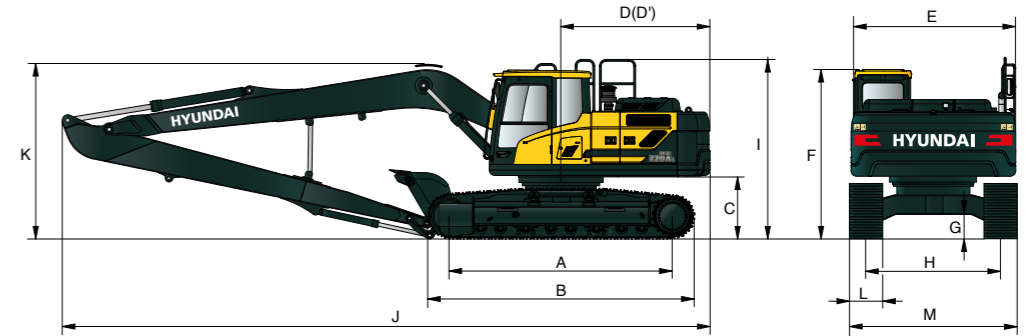
A Tumbler Distance	3,650 (12' 0")
*B Overall Length of Crawler	4,443 (14' 7")
*C Ground Clearance of Counterweight	1,115 (3' 8")
D Tail Swing Radius	2,890 (9' 5")
D' Rear-End Length	2,770 (9' 1")
E Overall Width of Upperstructure	2,740 (9' 0")
*F Overall Height of Cab	3,035 (9' 11")
*G Min. Ground Clearance	475 (1' 7")
H Track Gauge	2,390 (7' 10")
*I Overall Height of Guardrail	3,245 (10' 8")

\* This figure includes the size of grousers.

Boom Length	5,870 2-Piece (19' 3")			
Arm Length	2,000 (6' 7")	2,400 (7' 10")	2,900 (9' 6")	
J Overall Length	9,750 (32' 0")	9,725 (31' 11")	9,715 (31' 10")	
*K Overall Height of Boom	3,010 (9' 11")	3,015 (9' 11")	3,035 (9' 11")	
L Track Shoe Width	600 (24")	700 (28")	800 (32")	900 (36")
M Overall Width	2,990 (9' 10")	3,090 (10' 2")	3,190 (10' 6")	3,290 (10' 10")

## HX220A L LONG REACH DIMENSIONS

8.5 m (27' 11") BOOM and 6.2 m (20' 4") ARM



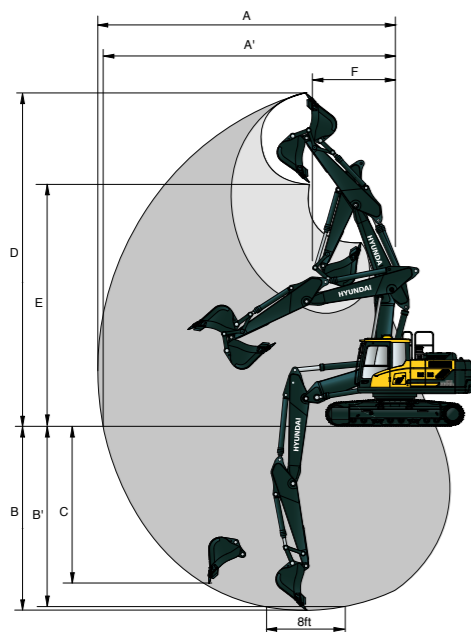
Unit : mm (ft · in)

A Tumbler Distance	3,650 (12' 0")
*B Overall Length of Crawler	4,443 (14' 7")
*C Ground Clearance of Counterweight	1,115 (3' 8")
D Tail Swing Radius	2,890 (9' 6")
D' Rear-End Length	2,770 (9' 1")
E Overall Width of Upperstructure	2,740 (9' 0")
*F Overall Height of Cab	3,035 (9' 11")
*G Min. Ground Clearance	475 (1' 7")
H Track Gauge	2,390 (7' 10")
*I Overall Height of Guardrail	3,245 (10' 8")

\* This figure includes the size of grousers.

Boom Length	8,500 (27' 11")
Arm Length	6,200 (20' 4")
J Overall Length	12,345 (40' 6")
*K Overall Height Of Boom	3,365 (11' 0")
L Track Shoe Width	800 (32")
M Overall Width	3,190 (10' 6")

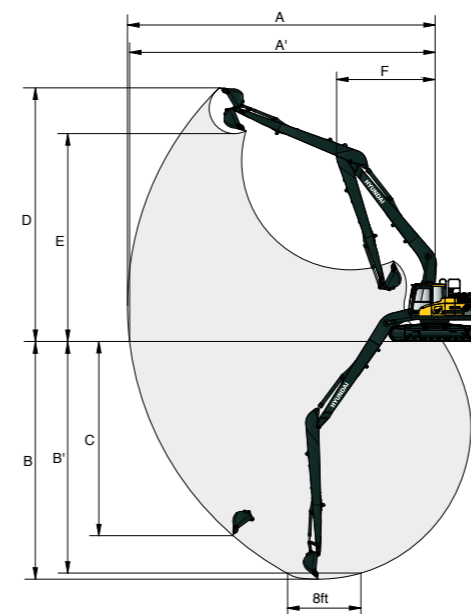
## HX220A L 2-PIECE BOOM WORKING RANGE



Unit : mm (ft · in)

Boom Length	5,870 2-Piece (19' 3")			
Arm Length	2,000 (6' 7")	2,400 (7' 10")	2,900 (9' 6")	
A Max. Digging Reach	9,380 (30' 9")	9,775 (32' 1")	10,215 (33' 6")	
A' Max. Digging Reach on Ground	9,205 (30' 2")	9,605 (31' 6")	10,055 (33' 0")	
B Max. Digging Depth	5,535 (18' 2")	5,940 (19' 6")	6,400 (21' 0")	
B' Max. Digging Depth (8' Level)	5,415 (17' 9")	5,825 (19' 1")	6,305 (20' 8")	
C Max. Vertical Wall Digging Depth	3,405 (11' 2")	3,690 (12' 1")	4,160 (13' 8")	
D Max. Digging Height	10,730 (35' 2")	11,090 (36' 5")	11,430 (37' 6")	
E Max. Dumping Height	7,800 (25' 7")	8,160 (26' 9")	8,500 (27' 11")	
F Min. Swing Radius	2,820 (9' 3")	2,700 (8' 10")	2,610 (8' 7")	

## HX220A L LONG REACH WORKING RANGE



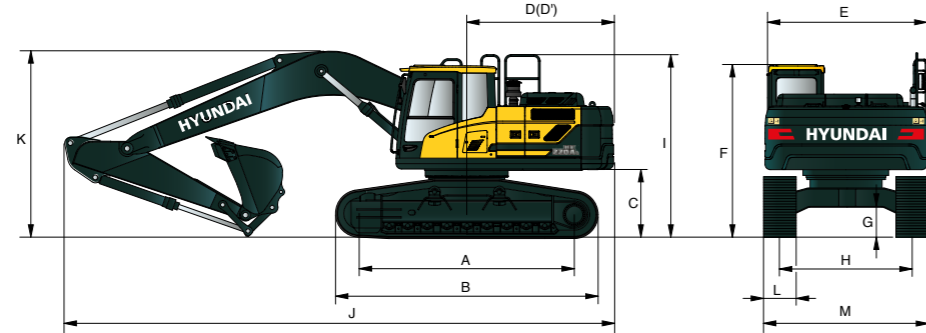
Unit : mm (ft · in)

Boom Length	8,500 (27' 11")
Arm Length	6,200 (20' 4")
A Max. Digging Reach	15,425 (50' 7")
A' Max. Digging Reach On Ground	15,320 (50' 3")
B Max. Digging Depth	11,455 (37' 7")
B' Max. Digging Depth (8' Level)	11,355 (37' 3")
C Max. Vertical Wall Digging Depth	10,265 (33' 8")
D Max. Digging Height	13,445 (44' 1")
E Max. Dumping Height	11,200 (36' 9")
F Min. Swing Radius	4,705 (15' 5")

# HX220A L DIMENSIONS & WORKING RANGE

## HX220A L HIGH WALKER DIMENSIONS

5.7 m (18' 8") BOOM and 2.0 m (6' 7"), 2.4 m (7' 10"), 2.9 m (9' 6"), 3.5 m (11' 6") ARM



Unit : mm (ft · in)

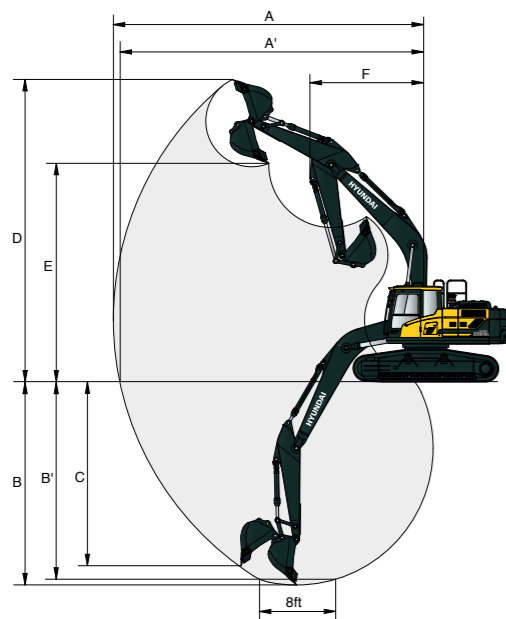
A Tumbler Distance	3,650 (12' 0")
*B Overall Length of Crawler	4,470 (14' 8")
*C Ground Clearance of Counterweight	1,260 (4' 2")
D Tail Swing Radius	2,890 (9' 6")
D' Rear-End Length	2,770 (9' 1")
E Overall Width of Upperstructure	2,740 (9' 0")
*F Overall Height of Cab	3,200 (10' 5")
*G Min. Ground Clearance	660 (2' 2")
H Track Gauge	2,795 (9' 2")
*I Overall Height of Guardrail	3,410 (11' 2")

Boom Length	5,700 (18' 8")			
Arm Length	2,000 (6' 7")	2,400 (7' 10")	2,900 (9' 6")	3,500 (11' 6")
J Overall Length	9,625 (31' 7")	9,560 (31' 4")	9,515 (31' 3")	9,575 (31' 5")
*K Overall Height of Boom	3,195 (10' 6")	3,090 (10' 2")	2,975 (9' 9")	3,275 (10' 9")
L Track Shoe	Triple grouser			
Width	600 (24")	700 (28")	800 (32")	900 (36")
M Overall Width	3,395 (11' 2")	3,495 (11' 6")	3,595 (11' 10")	3,695 (12' 1")

\* This figure includes the size of grousers.

## HX220A L HIGH WALKER WORKING RANGE

Unit : mm (ft · in)



Boom Length	5,700 (18' 8")			
Arm Length	2,000 (6' 7")	2,400 (7' 10")	2,900 (9' 6")	3,500 (11' 6")
A Max. Digging Reach	9,145 (30' 0")	9,525 (31' 3")	9,945 (32' 8")	10,450 (34' 3")
A' Max. Digging Reach on Ground	8,920 (29' 3")	9,310 (30' 7")	9,740 (31' 11")	10,255 (33' 8")
B Max. Digging Depth	5,385 (17' 8")	5,785 (19' 0")	6,290 (20' 8")	6,890 (22' 7")
B' Max. Digging Depth (8' Level)	5,160 (16' 11")	5,590 (18' 4")	6,115 (20' 1")	6,735 (22' 1")
C Max. Vertical Wall Digging Depth	4,870 (16' 0")	5,245 (17' 2")	5,245 (17' 11")	6,130 (20' 1")
D Max. Digging Height	9,570 (31' 5")	9,825 (32' 3")	9,950 (32' 8")	10,090 (33' 1")
E Max. Dumping Height	6,780 (22' 3")	7,030 (23' 1")	7,190 (23' 7")	7,360 (24' 2")
F Min. Swing Radius	3,715 (12' 2")	3,340 (10' 11")	3,425 (11' 3")	3,445 (11' 4")

# HX220A L LIFTING CAPACITY

Rating over-front Rating over-side or 360 degree

## HX220A L

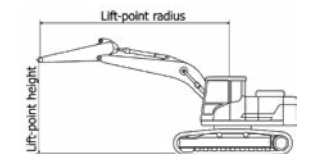
5.70 m (18' 8") Mono boom, 2.00 m (6' 7") arm

Lift point height m (ft)	Lift radius								At max. reach		
	3.0 m (9.8 ft)		4.5 m (14.8 ft)		6.0 m (19.7 ft)		7.5 m (24.6 ft)		Capacity	Reach	
7.5 m (24.6 ft)									*6,130	*6,130	5.05
6.0 m (19.7 ft)			*6,180	*6,180	*5,780	5,450			*5,810	4,910	6.39
4.5 m (14.8 ft)			*7,370	*7,370	*6,130	5,330			*5,780	4,040	7.17
3.0 m (9.8 ft)			*16,250	*16,250	*13,510	11,750			*12,740	8,910	(23.5)
1.5 m (4.9 ft)					*6,820	5,110	5,670	3,700	5,570	3,640	7.58
Ground Line					*10,600	7,160	7,620	4,810	5,580	3,610	7.46
-1.5 m (-4.9 ft)					*23,370	15,790	16,800	10,600	12,300	7,960	(24.5)
-3.0 m (-9.8 ft)					*10,130	7,180	*7,580	4,800	6,220	4,000	6.92
					*22,330	15,830	*16,710	10,580	13,710	8,820	(22.7)
					*11,600	*11,600	*8,810	7,310	*6,360	4,990	5.95
					*25,570	*25,570	*19,420	16,120	*14,020	11,000	(19.5)

5.70 m (18' 8") Mono boom, 2.40 m (7' 10") arm

Lift point height m (ft)	Lift radius								At max. reach		
	3.0 m (9.8 ft)		4.5 m (14.8 ft)		6.0 m (19.7 ft)		7.5 m (24.6 ft)		Capacity	Reach	
7.5 m (24.6 ft)									*5,580	*5,580	5.62
6.0 m (19.7 ft)					*5,340	*5,340			*5,390	4,420	6.85
4.5 m (14.8 ft)			*6,830	*6,830	*5,770	5,350	*5,380	3,770	*5,320	3,700	7.58
3.0 m (9.8 ft)			*15,060	*15,060	*12,720	11,790	*11,860	8,310	*11,730	8,160	(24.9)
1.5 m (4.9 ft)			*8,560	7,740	*6,520	5,120	*5,610	3,700	5,160	3,370	7.97
Ground Line			*18,870	17,060	*14,370	11,290	*12,370	8,160	11,380	7,430	(26.1)
-1.5 m (-4.9 ft)					*9,990	7,300	*7,250	4,910	5,560	3,600	8.06
-3.0 m (-9.8 ft)					*22,020	16,090	*15,980	10,820	12,260	7,940	(26.4)
-4.5 m (-14.8 ft)					*10,530	7,110	7,580	4,770	5,490	3,530	7.85
					*23,210	15,670	16,710	10,520	12,100	7,780	(25.8)
					*9,280	*9,280	*10,280	7,090	7,540	4,730	7.34
					*20,460	*20,460	*22,660	15,630	16,620	10,430	(24.1)
					*12,580	*12,580	*9,230	7,190	*6,790	4,810	6.44
					*27,730	*27,730	*20,350	15,850	*14,970	10,600	(21.1)
							*6,610	*6,610			
					*14,570	*14,570					

- | 1 | Lifting capacity are based on ISO 10567.
- | 2 | Lifting capacity of HX A Series does not exceed 75% of tipping load with the machine on firm, level ground or 87% of full hydraulic capacity.
- | 3 | The Lift-point is bucket pivot mounting pin on the arm (without bucket mass).
- | 4 | (\*) indicates load limited by hydraulic capacity.





# LIFTING CAPACITY

Rating over-front Rating over-side or 360 degree

Rating over-front Rating over-side or 360 degree

## HX220A L HIGH WALKER

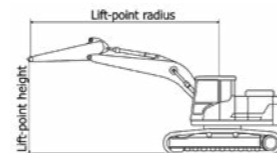
### 5.70 m (18' 8") Mono boom, 2.00 m (6' 7") arm

Lift point height m (ft)	Lift radius								At max. reach		
	3.0 m (9.8 ft)		4.5 m (14.8 ft)		6.0 m (19.7 ft)		7.5 m (24.6 ft)		Capacity		Reach
											m (ft)
7.5 m (24.6 ft)	kg								*6,050	*6,050	5.27
	lb								*13,340	*13,340	(17.3)
6.0 m (19.7 ft)	kg		*6,280	*6,280	*5,790	5,760			*5,800	5,030	6.52
	lb		*13,850	*13,850	*12,760	12,700			*12,790	11,090	(21.4)
4.5 m (14.8 ft)	kg		*7,590	*7,590	*6,210	5,610			*5,780	4,220	7.25
	lb		*16,730	*16,730	*13,690	12,370			*12,740	9,300	(23.8)
3.0 m (9.8 ft)	kg				*6,920	5,400	*5,900	3,930	*5,870	3,850	7.61
	lb				*15,260	11,900	*13,010	8,660	*12,940	8,490	(25.0)
1.5 m (4.9 ft)	kg				*7,550	5,220	5,940	3,860	5,760	3,750	7.66
	lb				*16,640	11,510	13,100	8,510	12,700	8,270	(25.1)
Ground Line	kg		*10,580	7,620	*7,800	5,120			6,010	3,890	7.41
	lb		*23,320	16,800	*17,200	11,290			13,250	8,580	(24.3)
-1.5 m (-4.9 ft)	kg		*10,010	7,650	*7,500	5,120			*6,340	4,360	6.81
	lb		*22,070	16,870	*16,530	11,290			*13,980	9,610	(22.4)
-3.0 m (-9.8 ft)	kg	*11,230	*11,230	*8,540	7,810				*6,330	5,540	5.78
	lb	*24,760	*24,760	*18,830	17,220				*13,960	12,210	(18.9)

### 5.70 m (18' 8") Mono boom, 2.40 m (7' 10") arm

Lift point height m (ft)	Lift radius								At max. reach		
	3.0 m (9.8 ft)		4.5 m (14.8 ft)		6.0 m (19.7 ft)		7.5 m (24.6 ft)		Capacity		Reach
											m (ft)
7.5 m (24.6 ft)	kg								*5,540	*5,540	5.82
	lb								*12,210	*12,210	(19.1)
6.0 m (19.7 ft)	kg				*5,370	*5,370			*5,380	4,550	6.97
	lb				*11,840	*11,840			*11,860	10,030	(22.9)
4.5 m (14.8 ft)	kg		*7,040	*7,040	*5,860	5,640	*5,390	4,010	*5,320	3,880	7.65
	lb		*15,520	*15,520	*12,920	12,430	*11,880	8,840	*11,730	8,550	(25.1)
3.0 m (9.8 ft)	kg		*8,790	8,130	*6,630	5,410	*5,650	3,920	5,450	3,560	8.00
	lb		*19,380	17,920	*14,620	11,930	*12,460	8,640	12,020	7,850	(26.2)
1.5 m (4.9 ft)	kg		*10,120	7,720	*7,330	5,200	5,910	3,830	5,340	3,470	8.05
	lb		*22,310	17,020	*16,160	11,460	13,030	8,440	11,770	7,650	(26.4)
Ground Line	kg		*10,540	7,560	*7,710	5,070	5,850	3,770	5,540	3,580	7.80
	lb		*23,240	16,670	*17,000	11,180	12,900	8,310	12,210	7,890	(25.6)
-1.5 m (-4.9 ft)	kg	*10,260	*10,260	*10,190	7,560	*7,580	5,050		*5,980	3,960	7.25
	lb	*22,620	*22,620	*22,470	16,670	*16,710	11,130		*13,180	8,730	(23.8)
-3.0 m (-9.8 ft)	kg	*12,250	*12,250	*9,010	7,680	*6,560	5,150		*6,060	4,870	6.28
	lb	*27,010	*27,010	*19,860	16,930	*14,460	11,350		*13,360	10,740	(20.6)

- | 1 | Lifting capacity are based on ISO 10567.
- | 2 | Lifting capacity of HX A Series does not exceed 75% of tipping load with the machine on firm, level ground or 87% of full hydraulic capacity.
- | 3 | The Lift-point is bucket pivot mounting pin on the arm (without bucket mass).
- | 4 | (\*) indicates load limited by hydraulic capacity.



## HX220A L HIGH WALKER

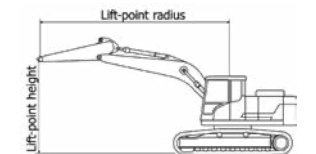
### 5.70 m (18' 8") Mono boom, 2.90 m (9' 6") arm

Lift point height m (ft)	Lift radius										At max. reach			
	1.5 m (4.9 ft)		3.0 m (9.8 ft)		4.5 m (14.8 ft)		6.0 m (19.7 ft)		7.5 m (24.6 ft)		Capacity		Reach	
													m (ft)	
7.5 m (24.6 ft)	kg													
	lb													
6.0 m (19.7 ft)	kg								*4,850	*4,850			6.40	
	lb								*10,690	*10,690			(21.0)	
4.5 m (14.8 ft)	kg								*4,870	*4,870			7.45	
	lb								*10,740	*10,740			(24.4)	
3.0 m (9.8 ft)	kg										*5,000	4,030	8.09	
	lb										*11,020	8,880	(26.6)	
1.5 m (4.9 ft)	kg										*5,350	3,920	8.42	
	lb										*11,790	8,640	(27.6)	
Ground Line	kg										*4,370	3,200	8.47	
	lb										*9,630	7,050	(27.8)	
-1.5 m (-4.9 ft)	kg								*5,470	*5,470	*10,390	7,520	8.24	
	lb								*12,060	*12,060	*22,910	16,580	(27.0)	
-3.0 m (-9.8 ft)	kg	*7,100	*6,250	*10,100	*10,100	*10,320	7,460	*7,620	4,980	5,780	3,700	5,570	3,580	7.71
	lb	*13,780	*13,780	*22,270	*22,270	*22,750	16,450	*16,800	10,980	12,740	8,160	12,280	7,890	(25.3)
-4.5 m (-14.8 ft)	kg													6.81
	lb													(22.4)
	kg													5.36
	lb													(17.6)

### 5.70 m (18' 8") Mono boom, 3.50 m (11' 6") arm

Lift point height m (ft)	Lift radius										At max. reach			
	1.5 m (4.9 ft)		3.0 m (9.8 ft)		4.5 m (14.8 ft)		6.0 m (19.7 ft)		7.5 m (24.6 ft)		Capacity		Reach	
													m (ft)	
7.5 m (24.6 ft)	kg													
	lb													
6.0 m (19.7 ft)	kg													
	lb													
4.5 m (14.8 ft)	kg													
	lb													
3.0 m (9.8 ft)	kg													
	lb													
1.5 m (4.9 ft)	kg													
	lb													
Ground Line	kg													
	lb													
-1.5 m (-4.9 ft)	kg	*5,900	*5,900	*9,710	*9,710	*10,280	7,320	*7,520	4,870	5,680	3,600	*4,910	3,170	8.26
	lb	*13,010	*13,010	*21,410	*21,410	*22,660	16,140	*16,580	10,740	12,520	7,940	*10,820	6,990	(27.1)
-3.0 m (-9.8 ft)	kg	*9,580	*9,580	*14,270	*14,270	*9,790	7,350	*7,230	4,880			*5,470	3,680	7.43
	lb	*21,120	*21,120	*31,460	*31,460	*21,580	16,200	*15,940	10,760			*12,060	8,110	(24.4)
-4.5 m (-14.8 ft)	kg													6.13
	lb													(20.1)

- | 1 | Lifting capacity are based on ISO 10567.
- | 2 | Lifting capacity of HX A Series does not exceed 75% of tipping load with the machine on firm, level ground or 87% of full hydraulic capacity.
- | 3 | The Lift-point is bucket pivot mounting pin on the arm (without bucket mass).
- | 4 | (\*) indicates load limited by hydraulic capacity.



# BUCKET SELECTION GUIDE & DIGGING FORCE

## BUCKETS



SAE heaped m <sup>3</sup> (yd <sup>3</sup> )	0.81 (1.06) 0.92 (1.20) 1.05 (1.37) 1.17 (1.53)	1.28 (1.67)	◆ 0.92 (1.20) ◆ 1.08 (1.41)	◆ 0.91 (1.19) ◆ 1.23 (1.61)	◆ 0.87 (1.14) ◆ 1.20 (1.57)	★ 0.51 (0.67)
---	--	-------------	--------------------------------	--------------------------------	--------------------------------	---------------

Capacity m <sup>3</sup> (yd <sup>3</sup> )	Width mm (in)	Weight kg (lb)	Tooth (EA)	Recommendation mm (ft.in)							
				5,700 (18' 8") Mono Boom				5,870 (19' 3") 2-Piece Boom		8,500 (27' 11") LR	
				2,000 (6' 7") Arm	2,400 (7' 10") Arm	2,900 (9' 6") Arm	3,500 (11' 6") Arm	2,400 (6' 7") Arm	2,900 (7' 10") Arm	6,200 (20' 4") Arm	6,200 (20' 4") Arm
0.81 (1.06)	975 (38.4")	700 (1,540)	5	●	●	●	●	●	●	●	-
0.92 (1.20)	1,085 (42.7")	750 (1,650)	5	●	●	●	●	●	●	●	-
1.05 (1.37)	1,220 (48.0")	790 (1,740)	5	●	●	●	●	●	●	●	-
1.17 (1.53)	1,340 (52.8")	850 (1,870)	6	●	○	○	■	○	○	■	-
1.28 (1.67)	1,455 (57.3")	885 (1,950)	6	○	○	■	▲	■	▲	■	-
◆ 0.92 (1.20)	1,050 (41.3")	865 (1,910)	5	●	●	●	○	●	○	●	-
◆ 1.08 (1.41)	1,200 (47.2")	935 (2,060)	5	●	●	○	■	○	■	■	-
◆ 0.91 (1.19)	1,050 (41.3")	1,050 (2,310)	4	●	●	●	-	●	○	○	-
◆ 1.23 (1.61)	1,350 (53.1")	1,395 (54.9")	5	○	■	■	-	■	▲	▲	-
◆ 0.87 (1.14)	1,130 (44.5")	935 (2,060)	5	●	●	●	-	●	●	●	-
◆ 1.20 (1.57)	1,445 (56.9")	1,115 (2,460)	5	○	○	■	-	■	▲	▲	-
★ 0.51 (0.67)	865 (34.1")	395 (0,870)	5	-	-	-	-	-	-	-	○

- ◆ Heavy duty bucket
- ◆ Rock-Heavy duty bucket
- ★ Long reach bucket
- : Applicable for materials with density of 2,100 kg/m<sup>3</sup> (3,500 lb/yd<sup>3</sup>) or less
- : Applicable for materials with density of 1,800 kg/m<sup>3</sup> (3,000 lb/yd<sup>3</sup>) or less
- : Applicable for materials with density of 1,500 kg/m<sup>3</sup> (2,500 lb/yd<sup>3</sup>) or less
- ▲ : Applicable for materials with density of 1,200 kg/m<sup>3</sup> (2,000 lb/yd<sup>3</sup>) or less
- : Not Recommended

## ATTACHMENT

Booms and arms are welded with a low-stress, full-box section design.  
5.70 m, 8.50 m Booms and 2.0 m, 2.4 m, 2.9 m, 3.5 m & 6.2 m Arms are available.

## DIGGING FORCE

Boom	Length	mm (ft. in)	5,700 (18' 8") Mono Boom				5,870 (19' 3") 2-Piece Boom			8,500 (27' 11") LR	Remark
			kg (lb)	kg (lb)	kg (lb)	kg (lb)	kg (lb)	kg (lb)	kg (lb)	kg (lb)	
Arm	Length	mm (ft. in)	2,000 (6' 7")	2,400 (7' 10")	2,900 (9' 6")	3,500 (11' 6")	2,000 (6' 7")	2,400 (7' 10")	2,900 (9' 6")	6,200 (20' 4")	Power Boost
	Weight	kg (lb)	820 (1,810)	900 (1,980)	985 (2,170)	1,130 (2,490)	820 (1,810)	900 (1,980)	985 (2,170)	1,295 (2,850)	
Bucket Digging Force	SAE	kN	130.4 [141.6]	130.4 [141.6]	130.4 [141.6]	130.4 [141.6]	130.4 [141.6]	130.4 [141.6]	130.4 [141.6]	68.0	[ ] : Power Boost
		kgf	13,300 [14,400]	13,300 [14,400]	13,300 [14,400]	13,300 [14,400]	13,300 [14,400]	13,300 [14,400]	13,300 [14,400]	6,930	
	lbf	29,320 [31,830]	29,320 [31,830]	29,320 [31,830]	29,320 [31,830]	29,320 [31,830]	29,320 [31,830]	29,320 [31,830]	15,280		
	kN	152.3 [165.3]	152.3 [165.3]	152.3 [165.3]	152.3 [165.3]	152.3 [165.3]	152.3 [165.3]	152.3 [165.3]	80.3		
ISO	kgf	15,530 [16,860]	15,530 [16,860]	15,530 [16,860]	15,530 [16,860]	15,530 [16,860]	15,530 [16,860]	15,530 [16,860]	8,190	[ ] : Power Boost	
	lbf	34,240 [37,170]	34,240 [37,170]	34,240 [37,170]	34,240 [37,170]	34,240 [37,170]	34,240 [37,170]	34,240 [37,170]	18,060		
Arm Crowd Force	SAE	kN	144.3 [156.6]	119.3 [129.4]	102.8 [111.6]	92.2 [100.1]	144.3 [156.6]	119.3 [129.4]	102.8 [111.6]	49.5	[ ] : Power Boost
		kgf	14,710 [15,970]	12,160 [13,200]	10,480 [11,380]	9,400 [10,210]	14,710 [15,970]	12,160 [13,200]	10,480 [11,380]	5,050	
	lbf	32,430 [35,210]	26,810 [29,100]	23,100 [25,090]	20,720 [22,510]	32,430 [35,210]	26,900 [29,100]	23,100 [25,090]	11,130		
	kN	152.0 [165.0]	124.7 [135.4]	106.9 [116.0]	95.4 [103.6]	152.0 [165.0]	124.7 [135.4]	106.9 [116.0]	50.5		
ISO	kgf	15,500 [16,830]	12,720 [13,810]	10,900 [11,830]	9,730 [10,560]	15,500 [16,830]	12,720 [13,810]	10,900 [11,830]	5,150	[ ] : Power Boost	
	lbf	34,170 [37,100]	28,040 [30,450]	24,030 [26,080]	21,450 [23,280]	34,170 [37,100]	28,040 [30,450]	24,030 [26,080]	11,350		

Note : Boom weight includes arm cylinder, piping, and pin  
Arm weight includes bucket cylinder, linkage, and pin

# STANDARD / OPTION

ENGINE	STD	OPT
Cummins B6.7	●	
<b>HYDRAULIC SYSTEM</b>		
<b>Electric Positive Flow Control (EPFC)</b>		
3-Power Mode, 2-Work Mode, User Mode	●	
Variable Power Control	●	
Pump Flow Control	●	
Electric Pump Flow Control (EPFC)	●	
Attachment Mode Flow Control		●
Engine Auto Idle	●	
Engine Auto Shutdown Control	●	
Electronic Fan Control	●	
Hyundai Bio Hydraulic oil (HBHO)		●
<b>CAB &amp; INTERIOR</b>		
<b>ISO Standard cabin</b>		
Rise-Up Type Windshield Wiper	●	
Radio / USB Player	●	
Handsfree Mobile Phone System with USB	●	
12V Power Outlet (24V DC to 12V DC converter)	●	
Electric Horn	●	
All-Weather Steel Cab with 360° Visibility	●	
Safety glass - Tempered glass	●	
Safety glass - Tempered glass with front laminated glass		●
Sliding Fold-In Front Window	●	
Sliding Side Window (LH)	●	
Lockable Door	●	
Hot & Cool Box	●	
Storage Compartment	●	
Ashtray & Cigar Lighter		●
Transparent Cabin Roof-Cover	●	
Sun Visor	●	
Door And Cab Locks, One Key	●	
Mechanical Suspension Seat With Heater	●	
Pilot-Operated Slidable Joystick	●	
Console Box Height Adjust System	●	
<b>Automatic climate control</b>		
Air Conditioner & Heater	●	
Defroster	●	
Starting Aid (Air Grid Heater) for Cold Weather	●	
<b>Centralized monitoring</b>		
8" LCD Display	●	
Engine Speed or Trip Meter / Accel.	●	
Engine Coolant Temperature Gauge	●	
Max Power	●	
Low Speed / High Speed	●	
Auto Idle	●	
Overload warning with alarm		●
Check Engine	●	
Air Cleaner Clogging	●	
Indicators	●	
ECO Gauges	●	
Fuel Level Gauge	●	
Hyd. Oil Temperature Gauge	●	
Fuel Warmer	●	
Warnings	●	
Communication Error	●	
Low Battery	●	
Clock	●	
Cabin Lights		●
Cabin Front Window Rain Guard		●
Cabin Roof-Steel Cover		●
<b>Seat</b>		
Adjustable Air Suspension Seat With Heater		●
<b>Cabin FOG (ISO 10262) Level 2</b>		
FOG (Falling Object Protective Structure) - ISO 10262 Level 2		●
<b>Cabin ROPS</b>		
ROPS (Roll Over Protective Structures) - ISO 12117-2	●	

SAFETY	STD	OPT
Lifting Mode	●	
Battery Master Switch	●	
Rearview Camera		●
AAVM (Advanced Around View Monitoring)		●
Four Front Working Lights (2 Boom Mounted, 2 Front Frame Mounted)	●	
Travel Alarm		●
Rear Work Lamp		●
Beacon Lamp		●
Electronic swing parking brake control	●	
Boom Holding System	●	
Arm Holding System	●	
Safety Lock Valve For Boom Cylinder With Overload Warning Device		●
Safety Lock Valve For Arm Cylinder		●
Swing Lock System		●
Three Outside Rearview Mirror	●	
Front Guard - Wire Net		●
<b>ATTACHMENT</b>		
<b>Booms</b>		
5.70 m, 18' 8" Mono	●	
5.87 m, 19' 3" 2-Piece		●
8.5 m, 27' 11" Long Reach		●
<b>Arms</b>		
2.0 m, 6' 7"		●
2.4 m, 7' 10"		●
2.90 m, 9' 6"	●	
3.5 m, 11' 6"		●
6.2 m, 20' 4" Long Reach		●
<b>OTHER</b>		
Removable Clean-Out Dust Net For Cooler	●	
Removable Reservoir Tank	●	
Fuel Pre-Filter	●	
Fuel Warmer	●	
Self-Diagnostics System	●	
Hi MATE (Remote Management System)		●
Batteries (2 × 12 V × 100 AH)	●	
Fuel Filler Pump (50 lpm)		●
Single-Acting Piping Kit (Breaker, Etc.)		●
Double-Acting Piping Kit (Clamshell, Etc.)		●
Rotating Piping Kit		●
Air Compressor		●
Quick Coupler Piping		●
Quick Coupler		●
Boom Floating Control		●
One Pedal Straight Travel System		●
Accumulator For Lowering Work Equipment	●	
Pattern Change Valve (2 Patterns)		●
Proportional Auxiliary Hydraulic System		●
2 Way Proportional RCV & Pedal Control Selection		●
Fine (Cushion/Free) Swing Control		●
Tool Kit		●
<b>UNDERCARRIAGE</b>		
Lower Frame Under Cover (Additional)		●
Lower Frame Under Cover (Normal)	●	
<b>Track Shoes</b>		
Triple Grousers Shoes (600 mm, 24")	●	
Triple Grousers Shoe (700 mm, 28" )		●
Triple Grousers Shoe (800 mm, 32" )		●
Triple Grousers Shoe (900 mm, 36" )		●
Double Grousers Shoe (700 mm, 28" )		●
Track Rail Guard	●	
Full Track Rail Guard		●

\* Standard and optional equipment may vary. Contact your Hyundai dealer for more information. The machine may vary according to International standards.  
\* The photos may include attachments and optional equipment that are not available in your area.  
\* Materials and specifications are subject to change without advance notice.  
\* All imperial measurements rounded off to the nearest pound or inch.

