

# HX145 LCR

With Tier 4 final / Stage IV Engine installed

\* Photo may include optional equipment.



Head Office(Sales Office)  
14F, GLOBAL R&D CENTER, 477 BUNDANG SUSEO-RO, BUNDANG-GU, SEONGNAM-SI, GYEONGGI-DO, 13553, KOREA

PLEASE CONTACT

2026. FEB

Gross Power  
SAE J1995 / 124 HP (92.6 kW) at 1,950 rpm

Net Power  
SAE J1349 / 116 HP (87 kW) at 1,950 rpm

Operating Weight  
15,430 kg / 34,020 lb

# HYUNDAI



## RULE THE GROUND

The HX Series excavators are products of HHI's spirit of initiative, creativity, and strong drive. HHI's engineers, who are the best in the industry, have worked tirelessly to offer a zero-defect product. The new HX Series reflects customers' needs in the field gleaned by thorough monitoring. They maximize fuel efficiency and performance proven by rigorous field tests and quality control.



\* Photo may include optional equipment.

# WHAT'S NEWEST AND BEST

HX145 LCR

## WORK MAX, WORTH MAX

- ECO Gauge
- IPC (Intelligent Power Control)
- New Variable Power Control
- Electronic Viscous Fan Clutch
- Attachment Flow Control **Option**
- New Cooling System with Increased Air Flow
- Enlarged Air Inlet with Grill Cover
- Cycle Time Improvement

## NEW EXTERIOR DESIGN FOR ROBUSTNESS AND SAFETY

- Durable Cooling Module
- Reinforced Pin, Bush, and Polymer Shim
- Reinforced Durability of Upper and Lower Structure and Attachments
- Hi-grade (High-pressure) Hoses

## INFOTAINMENT FRONTIER

- Intelligent and Wide Cluster
- Operating Simulation for Joy & Achievement
- Proportional Auxiliary Hydraulic System
- New Audio System
- New Air Conditioning System

## MODERN COMFORT, SIMPLE AND SAFE SOLUTION

- Easy Access to DEF/AdBlue® Supply System
- Hi MATE (Remote Management System)
- Viscous Suspension Mount
- Swing Lock System **Option**
- Fine Swing Control **Option**



\* Photo may include optional equipment.



# WORK MAX, WORTH MAX

## Fuel Efficient System, Allows Great Performance

The HX Series has an eco-friendly, high-performance engine which ensures both excellent fuel efficiency and high power. With outstanding operating performance proven by rigorous tests at various work sites, it will satisfy any customer's needs.



\* Photo may include optional equipment.

## Cycle Time Improvement

The HX Series provides higher productivity on the site by faster operation: it loads trucks up to 6% faster and levels up to 5% faster than the 9 Series.

### ECO Gauge

Eco Gauge enable economic operation of machines. The gauge level and color displays engine torque and fuel efficiency level. On top of that, the status of fuel consumption such as average rate and the total amount of fuel consumed are displayed. Hourly and daily based fuel consumption can be checked in the detailed menu as well.



### New Variable Power Control

The HX Series minimizes equipment input and output control signals to improve fuel efficiency. Its three-stage Power mode ensures the highest performance in any operating environment.

- \* P(power) mode: Maximizes speed and power of the equipment for heavy load work.
- \* S(standard) mode: Optimizes performance and fuel efficiency of the equipment for general load work.
- \* E(economy) mode: Improves the control system for light load work.

### IPC (Intelligent Power Control)

The IPC controls Power depending on work environments. Its mode can be selected and released on the monitor. On the excavation mode, pump flow can be easily controlled by a lever, reducing fuel consumption.



### Electronic Viscous Fan Clutch

The electronic fan clutch reduces noise during operation by precisely controlling RPM depending on the hydraulic oil and coolant temperature of the working vehicle, and minimizes fuel consumption. It is also possible to shorten the warm up time of hydraulic oil.

### Attachment Flow Control

The HX Series improves pump flow rate by independent control of two pumps. It optimizes attachments for effective flow rate setting depending on attachments (ten breaker types and ten crusher types), enabling various operations matching the site environments.



### Enlarged Air Inlet with Grill Cover Option

Enlarged vent hole of the air inlet side cover and fine net grill to prevent penetration of foreign materials further improve durability.



# MORE RELIABLE, MORE SUSTAINABLE

## New Exterior Design for Robustness and Safety

The true value of the HX Series lies in its durability.

The robust upper and lower frame structure that can endure external shock and high-load work and the attachments whose performance was proven by rigorous tests further show the real value of the HX Series in tough working environments and promise higher productivity.



### ▲ DURABLE COOLING MODULE

The HX Series has a durable cooling module that passed stringent tests, demonstrating the highest productivity in tough working environments.



### ▲ REINFORCED PIN, BUSH, AND POLYMER SHIM

The HX series improves lubricity of connecting parts between the equipment and attachments. Gaps with attachments are minimized by wear-resistant long-life pins, bushes, and polymer shims, supporting the highest performance with invariable durability.



### ▲ REINFORCED DURABILITY OF UPPER AND LOWER STRUCTURE AND ATTACHMENTS

The upper and lower structure and attachments of the HX Series have higher durability than demanded on the site, as proven through numerous tests including road tests and virtual simulation. The wear resistance of the bucket has been improved by use of new material.

\* Photo may include optional equipment.



### ▲ HI-GRADE (HIGH-PRESSURE) HOSES

The HX Series uses high-pressure hoses with improved heat and pressure resistance, greatly increasing the durability of the equipment.



# INFOTAINMENT FRONTIER

## Enhanced Instrument Panel for Easier Monitoring

Many electronic functions are concentrated on the most convenient spot for operators to ensure work efficiency. The highly-advanced infotainment system, a product of HHI's intensive information technology, enables both productivity and pleasant work at the same time! The HX Series of HHI provides higher value and pleasure to customers.

\* Photo may include optional equipment.

### Intelligent and Wide Cluster

The 8-inch capacitive-type display (like smartphone display) of the HX Series is 15% larger than the previous model, delivering excellent legibility. The centralized switches on the display allow convenience of checking the urea level and temperature outside the cabin. The audio AUX, air conditioner, heater interoperation, wiper, lamp, overload warning, travel, alarm and inclination sensor also maximize operator's convenience.



### New Audio System

Radio player, USB-based MP3 player, integrated Bluetooth hands-free feature, and built-in microphone allow convenient phone calls while in work and in transit. The radio player was moved to the right side from the rear, allowing easier access.



### Proportional Auxiliary Hydraulic System

- Opt: Proportional control switch for better speed control
- Enlarge the operation convenience



# MODERN COMFORT, SIMPLE AND SAFESOLUTION

## New Cabin for More Comfort

Low noise, low vibration, and ergonomic design make the cabin space more comfortable and pleasant! With focus on safety and convenience of operators, the HX Series allows rapid and safe equipment inspection anytime and anywhere, providing an optimal environment for operators to work.



\*Photo may include optional equipment.

### Swing Lock System **Option**

Swing Lock System is provided to maintain stability when swing movement needs to be limited, improving operating speed and productivity.

### Fine Swing Control **Option**

Fine swing control is available for customer's convenience when users want to control fine swing.



### Easy Access to DEF/AdBlue® Supply System

The DEF/AdBlue® tank is installed inside the tool box and its inlet is remotely located for easy access and convenient supply. Warning of overfill is given by a red lamp signal. The DEF/AdBlue® supply module is attached on the side of the fuel tank for easy maintenance and filter replacement.



### Hi MATE (Remote Management System)

Hi MATE, Hyundai's proprietary remote management system, provides operators and dealer service personnel access to vital service and diagnostic information on the machine from any computer with internet access.

Users can pinpoint machine location using digital mapping and set machine work boundaries, reducing the need for multiple service calls. Hi MATE saves time and money for the owner and dealer by promoting preventative maintenance and reducing machine downtime.

\* Operation of the system may be affected by the condition of telecommunication signal

# SPECIFICATIONS

ENGINE			
Maker / Model	Perkins 1204F		
Type	Water cooled, 4 cycle Diesel, 4-cylinders in line, direct injection, turbocharged charger and air cooled		
Rated flywheel horse power	SAE	J1995 (gross)	124 HP (92.6 kW) / 1,950 rpm
		J1349 (net)	116 HP (87 kW) / 1,950 rpm
DIN		6271/1 (gross)	126 PS (92.7 kW) / 1,950 rpm
		6271/1 (net)	118 PS (87 kW) / 1,950 rpm
Max. torque	54.0 kgf.m(391 lbf.ft) / 1,400 rpm		
Bore X stroke	105 x 127 mm (4.1" x 5.0")		
Piston displacement	4,400cc (268.5 in3)		
Batteries	2 X 12V X 100AH		
Starting motor	24V- 4.5kW		
Alternator	24V- 100Amp		

## HYDRAULIC SYSTEM

MAIN PUMP	
Type	Variable displacement tandem axis piston pumps
Max. flow	2X126.8L/min(33.5USgpm/27.9UKgpm)
Sub-pump for pilot circuit	Gear pump

Cross-sensing and fuel saving pump system

## HYDRAULIC MOTORS

Travel	Two speed axial pistons motor with brake valve and parking brake
Swing	Axial piston motor with automatic brake

## RELIEF VALVE SETTING

Implement circuits	350 kgf/cm <sup>2</sup> (4,980 psi)
Travel	350 kgf/cm <sup>2</sup> (4,980 psi)
Powerboost (boom, arm, bucket)	380 kgf/cm <sup>2</sup> (5,410 psi)
Swing circuit	285 kgf/cm <sup>2</sup> (4,050 psi)
Pilot circuit	40 kgf/cm <sup>2</sup> (570 psi)
Service valve	Installed

## HYDRAULIC CYLINDERS

No. of cylinder bore X stroke	Boom	2 - Ø105 X 1,085 mm
	Arm	1 - Ø115 X 1,108 mm
	Bucket	1 - Ø100 X 900 mm
	Blade	2 - Ø100 X 250 mm

\* Hyundai Bio Hydraulic Oil (HBHO) available

## DRIVES & BRAKES

Drive method	Fully hydrostatic type
Drive motor	Axial piston motor, in-shoe design
Reduction system	Planetary reduction gear
Max. drawbar pull	12,000 kgf (26,455 lbf)
Max. travel speed (high / low)	5.5 km/hr (3.4 mph) / 3.3 km/hr (2.1 mph)
Gradeability	35° (70%)
Parking brake	Multi wet disc

## CONTROL

Pilot pressure operated joysticks and pedals with detachable lever provide almost effortless and fatigueless operation.

Pilot control	Two joysticks with one safety lever (LH): Swing and arm, (RH): Boom and bucket(ISO)
Traveling and steering	Two levers with pedals
Engine throttle	Electric, Dial type

## SWING SYSTEM

Swing motor	Fixed displacement axial piston motor
Swing reduction	Planetary gear reduction
Swing bearing lubrication	Grease-bathed
Swing brake	Multi wet disc
Swing speed	11.2 rpm

## SERVICE REFILL CAPACITIES

	liter	US gal	UK gal
Re-filling			
Fuel tank	265	70.0	58.3
Engine coolant	14.5	3.8	3.2
Engine oil	10.5	2.8	2.3
Swing device	3.5 (2.5)	0.9 (0.7)	0.7 (0.5)
Final drive (each)	2.3	0.6	0.5
Hydraulic system (including tank)	180	47.6	39.6
Hydraulic tank	96	25.4	21.1
DEF/AdBlue® tank	19	5.0	4.2

## UNDERCARRIAGE

The X-leg type center frame is integrally welded with reinforced box-section track frames. The undercarriage includes lubricated rollers, idlers, track adjusters with shock absorbing springs and sprockets, and a track chain with double or triple grouser shoes.

Center frame	X - leg type	
Track frame	Pentagonal box type	
	HX145LCR	HX145CR
No. of shoes on each side	47 EA	45 EA
No. of carrier roller on each side	2 EA	1 EA
No. of track roller on each side	7 EA	7 EA
No. of rail guard on each side	1 EA	

## OPERATING WEIGHT (APPROXIMATE)

Operating weight, including 4,600mm (15' 1") boom, 2,500mm (8' 2") arm, SAE heaped 0.59m<sup>3</sup> (0.77yd<sup>3</sup>) bucket, lubricant, coolant, full fuel tank, full hydraulic tank, and all standard equipments.

## OPERATING WEIGHT

Shoes	Type	Width mm (in)	Operating weight		Ground pressure kgf/cm <sup>2</sup> (psi)
			kg (lb)		
Triple grouser	500 (20")	HX145CR	14,780 (32,580)	0.47 (6.68)	
		HX145CR (Dozer type)	15,580 (34,350)	0.50 (7.11)	
		HX145LCR	14,950 (32,960)	0.45 (6.40)	
		HX145LCR (Dozer type)	15,750 (34,720)	0.47 (6.68)	
		HX145CR	14,990 (33,050)	0.40 (5.69)	
		HX145CR (Dozer type)	15,790 (34,810)	0.42 (5.97)	
	600 (24")	HX145LCR	15,160 (33,420)	0.38 (5.40)	
		HX145LCR (Dozer type)	15,960 (35,190)	0.40 (5.69)	
		HX145CR	15,200 (33,510)	0.35 (4.98)	
		HX145CR (Dozer type)	1,600 (35,270)	0.36 (5.12)	
		HX145LCR	15,370 (33,880)	0.33 (4.69)	
		HX145LCR (Dozer type)	16,170 (35,650)	0.35 (4.98)	

## AIR CONDITIONING SYSTEM

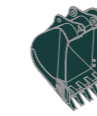
The air condition system for the machine contains the fluorinated greenhouse gas with global warming potential of R134a.

( Global Warming Potential : 1430 )

The system hold 0.75kg refrigerant consisting of a CO2 equivalent 1.07kg metric tonne. For more information, Please refer to the manual.

# BUCKET SELECTION GUIDE & DIGGING FORCE

## BUCKETS



SAE heaped  
m<sup>3</sup> (yd<sup>3</sup>)

0.51 (0.67)  
0.59 (0.77)



0.64 (0.84)



0.76 (0.99)

Capacity m <sup>3</sup> (yd <sup>3</sup> )	Width mm (in)	Weight kg (lb)	Tooth EA	Recommendation mm (ft.in)	
				4,600 (15' 1") Boom	
				2,500 (8' 2") Arm	3,000 (9' 10") Arm
0.51 (0.67)	865 (34.1")	395 (0,870)	5	●	●
0.59 (0.77)	955 (37.6")	415 (0,910)	5	■	■
0.64 (0.84)	1,040 (40.9")	440 (0,970)	5	■	▲
0.76 (0.99)	1,215 (47.8")	490 (1,080)	6	▲	-

- : Applicable for materials with density of 2,100 kg/m<sup>3</sup> (3,500 lb/yd<sup>3</sup>) or less
- ⦿ : Applicable for materials with density of 1,800 kg/m<sup>3</sup> (3,000 lb/yd<sup>3</sup>) or less
- : Applicable for materials with density of 1,500 kg/m<sup>3</sup> (2,500 lb/yd<sup>3</sup>) or less
- ▲ : Applicable for materials with density of 1,200 kg/m<sup>3</sup> (2,000 lb/yd<sup>3</sup>) or less
- : Not Recommended

## ATTACHMENT

Booms and arms are welded, a low-stress, full-box section design. 4.6 m (15' 1") boom and, 2.5 m (8' 2"), 3.0 m (9' 10") arms are available.

## DIGGING FORCE

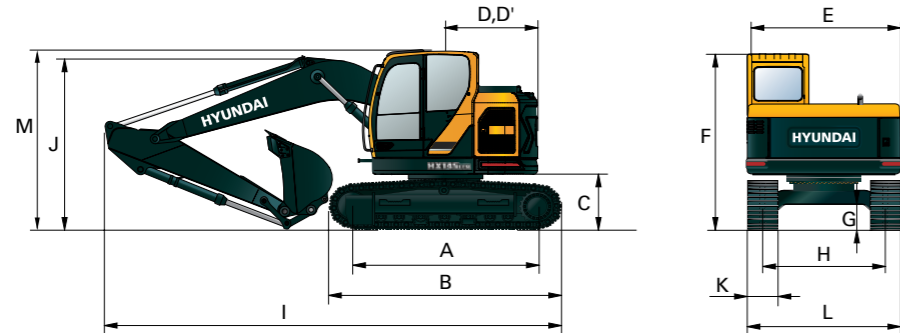
Boom	Length	mm(ft-in)	4,600(15' 1")		Remark
	Weight	kg(lb)	1,040(2,290)		
Arm	Length	mm (ft.in)	2,500 (8' 2")	3,000(9' 10")	Power Boost
	Weight	kg (lb)	640 (1,410)	680 (1,500)	
Bucket digging force	SAE	kN	94.3 [102.4]	94.3 [102.4]	[ ] : Power Boost
		kgf	9,620 [10,440]	9,620 [10,440]	
		lbf	21,200 [23,020]	21,200 [23,020]	
	ISO	kN	111.4 [121.0]	111.4 [121.0]	
		kgf	11,360 [12,340]	11,360 [12,330]	
		lbf	25,050 [27,190]	25,040 [27,190]	
Arm crowd force	SAE	kN	62.0 [67.4]	57.0 [61.9]	[ ] : Power Boost
		kgf	6,320 [6,870]	5,810 [6,310]	
		lbf	13,940 [15,140]	12,810 [13,910]	
	ISO	kN	64.6 [70.1]	59.1 [64.1]	
		kgf	6,590 [7,150]	6,020 [6,540]	
		lbf	14,520 [15,770]	13,280 [14,410]	

Note : Arm weight includes bucket cylinder, linkage, and pin

# DIMENSIONS & WORKING RANGE

## HX145CR DIMENSIONS

4.6 m (15' 1") BOOM and 2.5 m (8' 2"), 3.0 m (9' 10") ARM



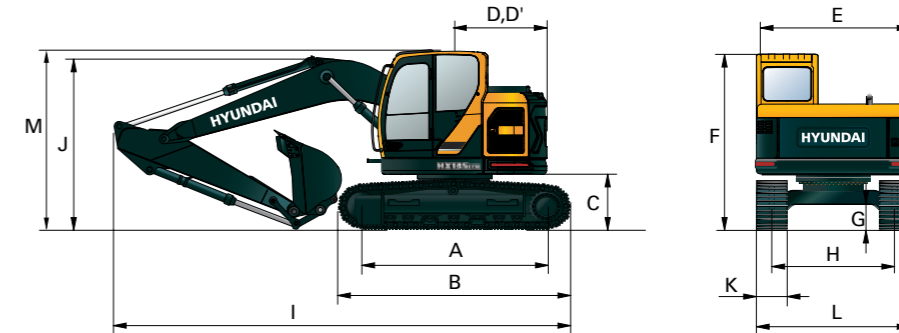
Unit : mm (ft · in)

A	Tumbler distance	2,950 (9' 8")
*B	Overall length of crawler	3,672 (12' 1")
C	Ground clearance of counterweight	915 (3' 0")
D	Tail swing radius	1,500 (4' 11")
D'	Rear-end length	1,500 (4' 11")
E	Overall width of upperstructure	2,485 (8' 2")
F	Overall height of cap	2,810 (9' 3")
G	Min. ground clearance	425 (1' 5")
H	Track gauge	2,000 (6' 7")

Boom length	4,600 (15' 1")		
Arm length	2,500 (8' 2")	3,000 (9' 10")	
I	7,320 (24' 0")	7,435 (24' 5")	
J	2,730 (8' 11")	3,165 (10' 5")	
K	500 (20")	600 (24")	700 (28")
L	2,500 (8' 2")	2,600 (8' 6")	2,700 (8' 10")

## HX145LCR DIMENSIONS

4.6 m (15' 1") BOOM and 2.5 m (8' 2"), 3.0 m (9' 10") ARM



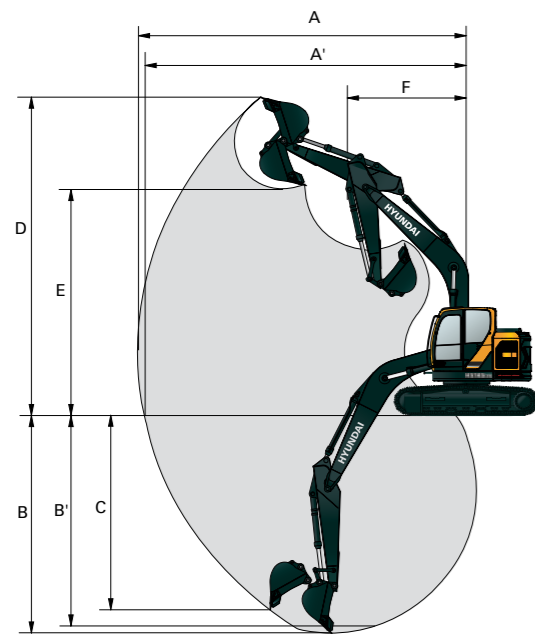
Unit : mm (ft · in)

A	Tumbler distance	3,120 (10' 3")
*B	Overall length of crawler	3,842 (12' 7")
C	Ground clearance of counterweight	915 (3' 0")
D	Tail swing radius	1,500 (4' 11")
D'	Rear-end length	1,500 (4' 11")
E	Overall width of upperstructure	2,500 (8' 2")
F	Overall height of cab	2,810 (9' 3")
G	Min. ground clearance	425 (1' 5")
H	Track gauge	2,000 (6' 7")

Boom length	4,600 (15' 1")		
Arm length	2,500 (8' 2")	3,000 (9' 10")	
I	7,320 (24' 0")	7,435 (24' 5")	
J	2,730 (8' 11")	3,165 (10' 5")	
K	500 (20")	600 (24")	700 (28")
L	2,500 (8' 2")	2,600 (8' 6")	2,700 (8' 10")

## HX145CR DIMENSIONS

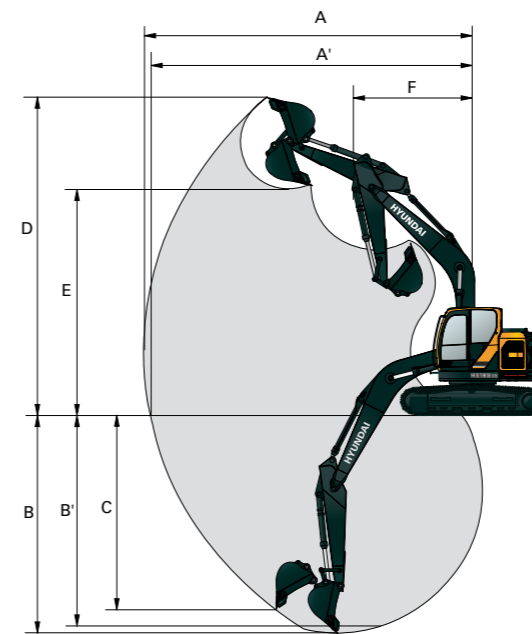
Unit : mm (ft · in)



Boom length	4,600 (15' 1")	
Arm length	2,500 (8' 2")	3,000 (9' 10")
A	8,240 (27' 0")	8,620 (28' 4")
A'	8,100 (26' 7")	8,490 (27' 10")
B	5,210 (17' 1")	5,710 (18' 9")
B'	5,010 (16' 5")	5,530 (18' 2")
C	4,710 (15' 5")	4,990 (16' 4")
D	9,220 (30' 3")	9,410 (30' 10")
E	6,800 (22' 4")	7,015 (23' 0")
F	2,000 (6' 7")	2,350 (7' 9")

## HX145LCR DIMENSIONS

Unit : mm (ft · in)

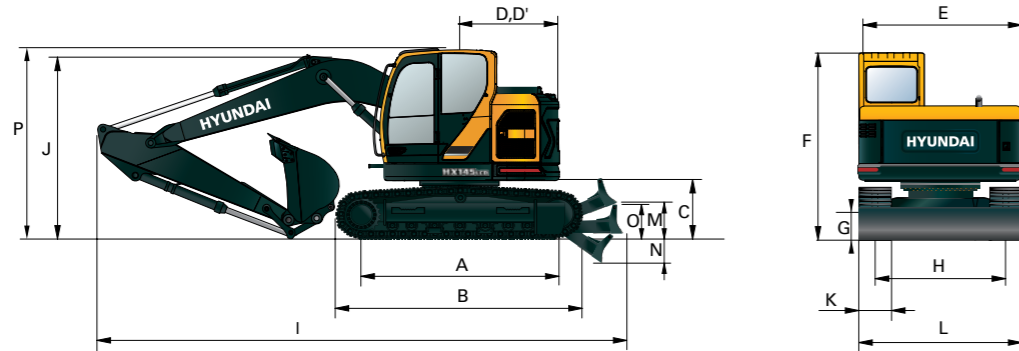


Boom length	4,600 (15' 1")	
Arm length	2,500 (8' 2")	3,000 (9' 10")
A	8,240 (27' 0")	8,620 (28' 4")
A'	8,100 (26' 7")	8,490 (27' 10")
B	5,210 (17' 1")	5,710 (18' 9")
B'	5,010 (16' 5")	5,530 (18' 2")
C	4,710 (15' 5")	4,990 (16' 4")
D	9,220 (30' 3")	9,410 (30' 10")
E	6,800 (22' 4")	7,015 (23' 0")
F	2,000 (6' 7")	2,350 (7' 9")

# DIMENSIONS & WORKING RANGE

## HX145CR (DOZER TYPE) DIMENSIONS

4.6 m (15' 1") BOOM and 2.5 m (8' 2"), 3.0 m (9' 10") ARM



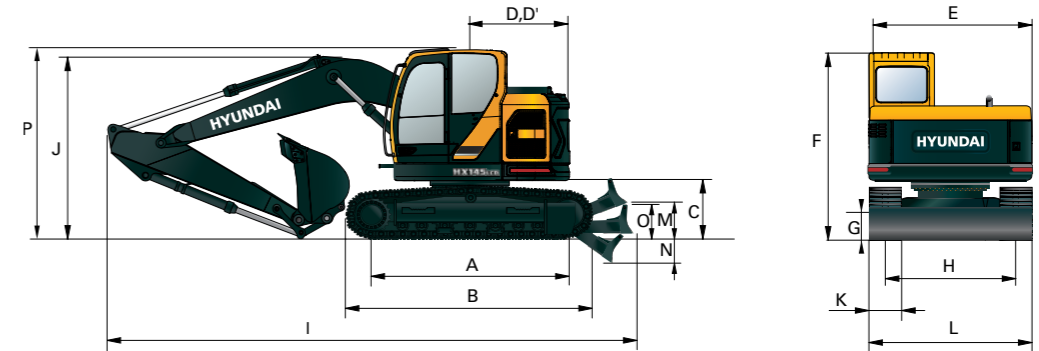
Unit : mm (ft - in)

A Tumbler distance	2,950 (9' 8")
*B Overall length of crawler	3,672 (12' 1")
C Ground clearance of counterweight	915 (3' 0")
D Tail swing radius	1,500 (4' 11")
D' Rear-end length	1,500 (4' 11")
E Overall width of upperstructure	2,485 (8' 2")
F Overall height of cap	2,810 (9' 3")
G Min. ground clearance	270 (0' 11")
H Track gauge	2,000 (6' 7")
M Ground clearance of blade up	425 (1' 5")
N Depth of blade down	430 (1' 5")
O Height of blade	575 (1' 11")

Boom length	4,600 (15' 1")		
Arm length	2,500 (8' 2")	3,000 (9' 10")	
I Overall length	7,755 (25' 5")	7,870 (25' 10")	
J Overall height of boom	2,730 (8' 11")	3,165 (10' 5")	
K Track shoe width	500 (20")	600 (24")	700 (28")
L Overall width	2,500 (8' 2")	2,600 (8' 6")	2,700 (8' 10")

## HX145LCR (DOZER TYPE) DIMENSIONS

4.6 m (15' 1") BOOM and 2.5 m (8' 2"), 3.0 m (9' 10") ARM



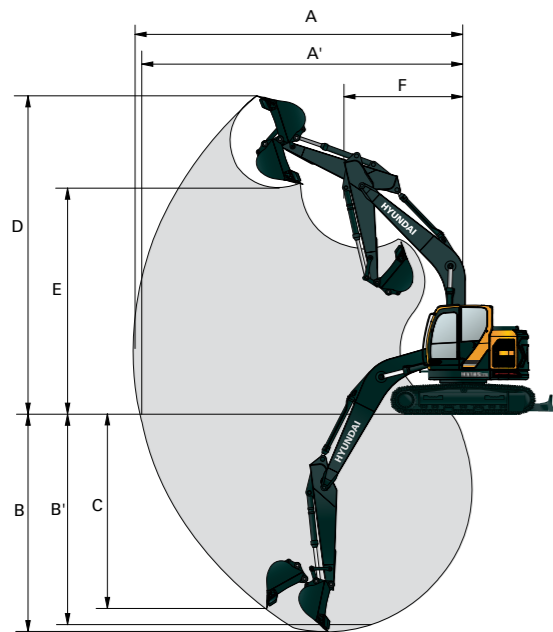
Unit : mm (ft - in)

A Tumbler distance	3,120 (10' 3")
*B Overall length of crawler	3,842 (12' 7")
C Ground clearance of counterweight	915 (3' 0")
D Tail swing radius	1,500 (4' 11")
D' Rear-end length	1,500 (4' 11")
E Overall width of upperstructure	2,485 (8' 2")
F Overall height of cap	2,810 (9' 3")
G Min. ground clearance	270 (0' 11")
H Track gauge	2,000 (6' 7")
M Ground clearance of blade up	425 (1' 5")
N Depth of blade down	430 (1' 5")
O Height of blade	575 (1' 11")

Boom length	4,600 (15' 1")		
Arm length	2,500 (8' 2")	3,000 (9' 10")	
I Overall length	7,755 (25' 5")	7,870 (25' 10")	
J Overall height of boom	2,730 (8' 11")	3,165 (10' 5")	
K Track shoe width	500 (20")	600 (24")	700 (28")
L Overall width	2,500 (8' 2")	2,600 (8' 6")	2,700 (8' 10")

## HX145CR (DOZER TYPE) WORKING RANGE

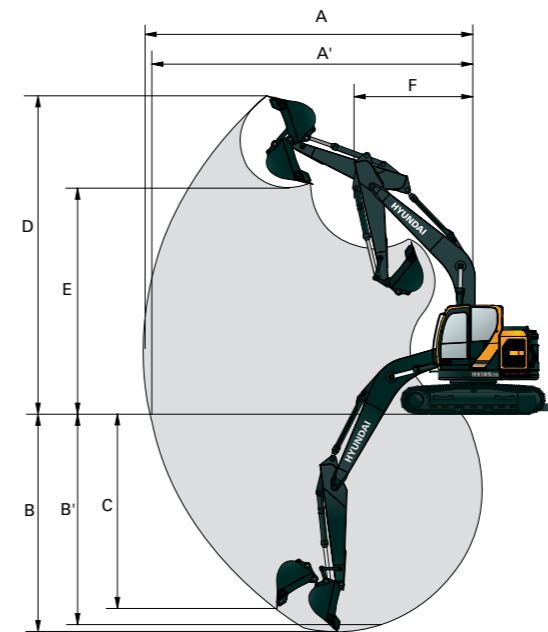
Unit : mm (ft - in)



Boom length	4,600 (15' 1")	
Arm length	2,500 (8' 2")	3,000 (9' 10")
A Max. digging reach	8,240 (27' 0")	8,620 (28' 4")
A' Max. digging reach on ground	8,100 (26' 7")	8,490 (27' 10")
B Max. digging depth	5,210 (17' 1")	5,710 (18' 9")
B' Max. digging depth (8' level)	5,010 (16' 5")	5,530 (18' 2")
C Max. vertical wall digging depth	4,710 (15' 5")	4,990 (16' 4")
D Max. digging height	9,220 (30' 3")	9,410 (30' 10")
E Max. dumping height	6,800 (22' 4")	7,015 (23' 0")
F Min. swing radius	2,000 (6' 7")	2,350 (7' 9")

## HX145LCR (DOZER TYPE) WORKING RANGE

Unit : mm (ft - in)



Boom length	4,600 (15' 1")	
Arm length	2,500 (8' 2")	3,000 (9' 10")
A Max. digging reach	8,240 (27' 0")	8,620 (28' 4")
A' Max. digging reach on ground	8,100 (26' 7")	8,490 (27' 10")
B Max. digging depth	5,210 (17' 1")	5,710 (18' 9")
B' Max. digging depth (8' level)	5,010 (16' 5")	5,530 (18' 2")
C Max. vertical wall digging depth	4,710 (15' 5")	4,990 (16' 4")
D Max. digging height	9,220 (30' 3")	9,410 (30' 10")
E Max. dumping height	6,800 (22' 4")	7,015 (23' 0")
F Min. swing radius	2,000 (6' 7")	2,350 (7' 9")

# LIFTING CAPACITY

Rating over-front Rating over-side or 360 degree

Rating over-front Rating over-side or 360 degree

## HX145CR MONO BOOM

Boom: 4.6 m (15' 1") / Arm: 2.5 m (8' 2") / Shoe: 600mm(24") triple grouser with 2,800kg (6,170lb) CWT

Load point height m (ft)	Load radius								At max. reach			
	1.5 m (5 ft)		3.0 m (10 ft)		4.5 m (15 ft)		6.0 m (20 ft)		Capacity	Reach		
7.5m 24.6ft	kg lb		*3,760 *8,290	*3,760 *8,290					*2,770 *6,110	*2,770 *6,110	3.56 (11.7)	
6.0m 19.7ft	kg lb			*3,650 *8,050	*3,650 *8,050				*2,180 *4,810	*2,180 *4,810	5.37 (17.6)	
4.5m 14.8ft	kg lb		*4,000 *8,820	*4,000 *8,820	*4,260 *9,390	3,720 8,200	*3,100 *6,830	2,330 5,140	*2,020 *4,450	*2,020 *4,450	6.34 (20.8)	
3.0m 9.8ft	kg lb		*7,400 *16,310	6,670 14,700	*5,270 *11,620	3,530 7,780	3,430 7,560	2,270 5,000	*2,010 *4,430	1,820 4,010	6.86 (22.5)	
1.5m 4.9ft	kg lb		*8,670 *19,110	5,980 13,180	5,170 11,400	3,300 7,280	3,330 7,340	2,170 4,780	*2,120 *4,670	1,710 3,770	7.02 (23.0)	
0.0m 0.0ft	kg lb		*7,060 *15,560	5,680 12,520	4,980 10,980	3,130 6,900	3,250 7,170	2,100 4,630	*2,370 *5,220	1,740 3,840	6.85 (22.5)	
-1.5m -4.9ft	kg lb	*4,940 *10,890	*4,940 *10,890	*8,670 *19,110	5,650 12,460	4,910 10,820	3,070 6,770	3,220 7,100	2,070 4,560	*2,900 *6,390	1,940 4,280	6.32 (20.7)
-3.0m -9.8ft	kg lb			*6,550 *14,440	5,760 12,700	*4,580 *10,100	3,120 6,880		*3,410 *7,520	2,490 5,490	5.33 (17.5)	

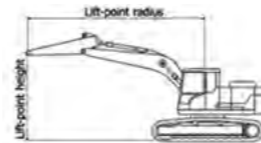
Boom: 4.6 m (15' 1") / Arm: 2.5 m (8' 2") / Shoe: 600mm(24") triple grouser with 2,800kg (6,170lb) CWT, Dozer Up

Load point height m (ft)	Load radius								At max. reach			
	1.5 m (5 ft)		3.0 m (10 ft)		4.5 m (15 ft)		6.0 m (20 ft)		Capacity	Reach		
7.5m 24.6ft	kg lb		*3,760 *8,290	*3,760 *8,290					*2,770 *6,110	*2,770 *6,110	3.56 (11.7)	
6.0m 19.7ft	kg lb			*3,650 *8,050	*3,650 *8,050				*2,180 *4,810	*2,180 *4,810	5.37 (17.6)	
4.5m 14.8ft	kg lb		*4,000 *8,820	*4,000 *8,820	*4,260 *9,390	3,910 8,620	*3,100 *6,830	2,460 5,420	*2,020 *4,450	*2,020 *4,450	6.34 (20.8)	
3.0m 9.8ft	kg lb		*7,400 *16,310	6,990 15,410	*5,270 *11,620	3,710 8,180	3,740 8,250	2,400 5,290	*2,010 *4,430	1,930 4,250	6.86 (22.5)	
1.5m 4.9ft	kg lb		*8,670 *19,110	6,300 13,890	5,690 12,540	3,480 7,670	3,640 8,020	2,300 5,070	*2,120 *4,670	1,820 4,010	7.02 (23.0)	
0.0m 0.0ft	kg lb		*7,060 *15,560	6,010 13,250	5,500 12,130	3,320 7,320	3,550 7,830	2,220 4,890	*2,370 *5,220	1,850 4,080	6.85 (22.5)	
-1.5m -4.9ft	kg lb	*4,940 *10,890	*4,940 *10,890	*8,670 *19,110	5,980 13,180	5,430 11,970	3,260 7,190	3,530 7,780	2,200 4,850	*2,900 *6,390	2,060 4,540	6.32 (20.7)
-3.0m -9.8ft	kg lb			*6,550 *14,440	6,080 13,400	*4,580 *10,100	3,300 7,280		*3,410 *7,520	2,640 5,820	5.33 (17.5)	

Boom: 4.6 m (15' 1") / Arm: 2.5 m (8' 2") / Shoe: 600mm(24") triple grouser with 2,800kg (6,170lb) CWT, Dozer Down

Load point height m (ft)	Load radius								At max. reach		
	1.5 m (5 ft)		3.0 m (10 ft)		4.5 m (15 ft)		6.0 m (20 ft)		Capacity	Reach	
7.5m 24.6ft	kg lb		*3,760 *8,290	*3,760 *8,290					*2,770 *6,110	*2,770 *6,110	3.56 (11.7)
6.0m 19.7ft	kg lb			*3,650 *8,050	*3,650 *8,050				*2,180 *4,810	*2,180 *4,810	5.37 (17.6)
4.5m 14.8ft	kg lb		*4,000 *8,820	*4,000 *8,820	*4,260 *9,390	4,260 9,390	*3,100 *6,830	2,720 6,000	*2,020 *4,450	*2,020 *4,450	6.34 (20.8)
3.0m 9.8ft	kg lb		*7,400 *16,310	*7,400 *16,310	*5,270 *11,620	4,130 9,110	*4,340 *9,570	2,660 5,860	*2,010 *4,430	2,010 4,430	6.86 (22.5)
1.5m 4.9ft	kg lb		*8,670 *19,110	7,180 15,830	*6,050 *13,340	3,890 8,580	*4,610 *10,160	2,560 5,640	*2,120 *4,670	2,030 4,480	7.02 (23.0)
0.0m 0.0ft	kg lb		*7,060 *15,560	6,870 15,150	*6,380 *14,070	3,720 8,200	*4,670 *10,300	2,480 5,470	*2,370 *5,220	2,070 4,560	6.85 (22.5)
-1.5m -4.9ft	kg lb	*4,940 *10,890	*4,940 *10,890	*8,670 *19,110	6,840 15,080	*5,990 *13,210	3,660 8,070	*4,200 *9,260	2,300 5,070	2,300 5,070	6.32 (20.7)
-3.0m -9.8ft	kg lb			*6,550 *14,440	*6,550 *14,440	*4,580 *10,100	3,710 8,180		*3,410 *7,520	2,950 6,500	5.33 (17.5)

- Lifting capacity are based on ISO 10567.
- Lifting capacity of HX Series does not exceed 75% of tipping load with the machine on firm, level ground or 87% of full hydraulic capacity.
- The Lift-point is bucket pivot mounting pin on the arm(without bucket mass).
- (\*) indicates load limited by hydraulic capacity.



## HX145CR MONO BOOM

Boom: 4.6 m (15' 1") / Arm: 3.0 m (9' 10") / Shoe: 600mm(24") triple grouser with 2,800kg (6,170lb) CWT

Load point height m (ft)	Load radius										At max. reach			
	1.5 m (5 ft)		3.0 m (10 ft)		4.5 m (15 ft)		6.0 m (20 ft)		7.5 m (25 ft)		Capacity	Reach		
7.5m 24.6ft	kg lb											*2,450 *5,400	*2,450 *5,400	4.28 (14.0)
6.0m 19.7ft	kg lb					*3,290 *7,250	*3,290 *7,250					*2,070 *4,560	*2,070 *4,560	5.86 (19.2)
4.5m 14.8ft	kg lb					*3,580 *7,890	*3,580 *7,890	*3,180 *7,010	2,380 5,250			*1,960 *4,320	1,930 4,250	6.76 (22.2)
3.0m 9.8ft	kg lb			*5,770 *12,720	*5,770 *12,720	*4,880 *10,760	3,600 7,940	3,470 7,650	2,300 5,070			*1,980 *4,370	1,680 3,700	7.25 (23.8)
1.5m 4.9ft	kg lb			*8,900 *19,620	6,140 13,540	5,220 11,510	3,340 7,360	3,350 7,390	2,190 4,830			*2,100 *4,630	1,580 3,480	7.40 (24.3)
0.0m 0.0ft	kg lb			*8,300 *18,300	5,700 12,570	4,990 11,000	3,140 6,920	3,240 7,140	2,090 4,610			*2,360 *5,200	1,600 3,530	7.24 (23.7)
-1.5m -4.9ft	kg lb	*4,720 *10,410	*4,720 *10,410	*9,180 *20,240	5,590 12,320	4,890 10,780	3,040 6,700	3,190 7,030	2,040 4,500			*2,710 *5,970	1,750 3,860	6.74 (22.1)
-3.0m -9.8ft	kg lb			*7,780 *17,150	*7,780 *17,150	*7,460 *16,450	5,650 12,460	4,900 10,800	3,050 6,720			*3,360 *7,410	2,160 4,760	5.82 (19.1)

Boom: 4.6 m (15' 1") / Arm: 3.0 m (9' 10") / Shoe: 600mm(24") triple grouser with 2,800kg (6,170lb) CWT, Dozer Up

Load point height m (ft)	Load radius										At max. reach			
	1.5m (4.9ft)		3.0m (9.8ft)		4.5m (14.8ft)		6.0m (19.7ft)		7.5m (24.6ft)		Capacity	Reach		
7.5m 24.6ft	kg lb											*2,450 *5,400	*2,450 *5,400	4.28 (14.0)
6.0m 19.7ft	kg lb					*3,290 *7,250	*3,290 *7,250					*2,070 *4,560	*2,070 *4,560	5.86 (19.2)
4.5m 14.8ft	kg lb					*3,580 *7,890	*3,580 *7,890	*3,180 *7,010	2,510 5,530			*1,960 *4,320	1,960 4,320	6.76 (22.2)
3.0m 9.8ft	kg lb			*5,770 *12,720	*5,770 *12,720	*4,880 *10,760	3,780 8,330	3,780 8,330	2,430 5,360			*1,980 *4,370	1,780 3,920	7.25 (23.8)
1.5m 4.9ft	kg lb			*8,900 *19,620	6,460 14,240	5,750 12,680	3,530 7,780	3,660 8,070	2,320 5,110			*2,100 *4,630	1,680 3,700	7.40 (24.3)
0.0m 0.0ft	kg lb			*8,300 *18,300	6,030 13,290	5,510 12,150	3,320 7,320	3,550 7,830	2,220 4,890			*2,360 *5,200	1,700 3,750	7.24 (23.7)
-1.5m -4.9ft	kg lb	*4,720 *10,410	*4,720 *10,410	*9,180 *20,240	5,920 13,050	5,400 11,900	3,230 7,120	3,500 7,720	2,170 4,780			*2,870 *6,330	1,860 4,100	6.74 (22.1)
-3.0m -9.8ft	kg lb			*7,780 *17,150	*7,780 *17,150	*7,460 *16,450	5,980 13,180	5,170 11,400	3,240 7,140			*3,520 *7,760	2,290 5,050	5.82 (19.1)

Boom: 4.6 m (15' 1") / Arm: 3.0 m (9' 10") / Shoe: 600mm(24") triple grouser with 2,800kg (6,170lb) CWT, Dozer Down

Load point height m (ft)	Load radius										At max. reach			
	1.5 m (5 ft)		3.0 m (10 ft)		4.5 m (15 ft)		6.0 m (20 ft)		7.5 m (24.6ft)		Capacity	Reach		
7.5m 24.6ft	kg lb											*2,450 *5,400	*2,450 *5,400	4.28 (14.0)
6.0m 19.7ft	kg lb					*3,290 *7,250	*3,290 *7,250					*2,070 *4,560	*2,070 *4,560	5.86 (19.2)
4.5m 14.8ft	kg lb					*3,580 *7,890	*3,580 *7,890	*3,180 *7,010	2,770 6,110			*1,960 *4,320	1,960 4,320	6.76 (22.2)
3.0m 9.8ft	kg lb			*5,770 *12,720	*5,770 *12,720	*4,880 *10,760	4,200 9,260	*4,010 *8,840	2,690 5,930			*1,980 *4,370	1,980 4,370	7.25 (23.8)
1.5m 4.9ft	kg lb			*8,900 *19,620	7,350 16,200	5,770 12,720	3,940 8,690	*4,460 *9,830	2,580 5,690			*2,100 *4,630	1,870 4,120	7.40 (24.3)
0.0m 0.0ft	kg lb			*8,300 *18,300	6,890 15,190	*6,300 *13,890	3,730 8,220	*4,650 *10,250	2,480 5,4					

# LIFTING CAPACITY

Rating over-front Rating over-side or 360 degree

Rating over-front Rating over-side or 360 degree

## HX145LCR MONO BOOM

Boom: 4.6 m (15' 1") / Arm: 2.5 m (8' 2") / Shoe: 600mm(24") triple grouser with 2,800kg (6,170lb) CWT

Load point height m (ft)	Load radius								At max. reach		
	1.5 m (5 ft)		3.0 m (10 ft)		4.5 m (15 ft)		6.0 m (20 ft)		Capacity	Reach	
7.5m 24.6ft	kg lb		*3,760 *8,290	*3,760 *8,290					*2,770 *6,110	*2,770 *6,110	3.56 (11.7)
6.0m 19.7ft	kg lb			*3,650 *8,050	*3,650 *8,050				*2,180 *4,810	*2,180 *4,810	5.37 (17.6)
4.5m 14.8ft	kg lb		*4,000 *8,820	*4,000 *8,820	*4,260 *9,390	3,760 8,290	*3,100 *6,830	2,360 5,200	*2,020 *4,450	*2,020 *4,450	6.34 (20.8)
3.0m 9.8ft	kg lb		*7,400 *16,310	6,740 14,860	*5,270 *11,620	3,570 7,870	3,470 7,650	2,300 5,070	*2,010 *4,430	1,850 4,080	6.86 (22.5)
1.5m 4.9ft	kg lb		*8,670 *19,110	6,050 13,340	5,230 11,530	3,340 7,360	3,370 7,430	2,200 4,850	*2,120 *4,670	1,740 3,840	7.02 (23.0)
0.0m 0.0ft	kg lb		*7,060 *15,560	5,750 12,680	5,040 11,110	3,170 6,990	3,280 7,230	2,120 4,670	*2,370 *5,220	1,770 3,900	6.85 (22.5)
-1.5m -4.9ft	kg lb	*4,940 *10,890	*4,940 *10,890	*8,670 *19,110	5,720 12,610	4,970 10,960	3,110 6,860	3,260 7,190	2,100 4,630	1,970 4,340	6.32 (20.7)
-3.0m -9.8ft	kg lb			*6,550 *14,440	5,830 12,850	*4,580 *10,100	3,160 6,970		*3,410 *7,520	2,530 5,580	5.33 (17.5)

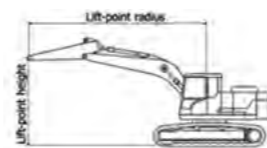
Boom: 4.6 m (15' 1") / Arm: 2.5 m (8' 2") / Shoe: 600mm(24") triple grouser with 2,800kg (6,170lb) CWT, Dozer Up

Load point height m (ft)	Load radius								At max. reach		
	1.5 m (5 ft)		3.0 m (10 ft)		4.5 m (15 ft)		6.0 m (20 ft)		Capacity	Reach	
7.5m 24.6ft	kg lb		*3,760 *8,290	*3,760 *8,290					*2,770 *6,110	*2,770 *6,110	3.56 (11.7)
6.0m 19.7ft	kg lb			*3,650 *8,050	*3,650 *8,050				*2,180 *4,810	*2,180 *4,810	5.37 (17.6)
4.5m 14.8ft	kg lb		*4,000 *8,820	*4,000 *8,820	*4,260 *9,390	3,940 8,690	*3,100 *6,830	2,480 5,470	*2,020 *4,450	*2,020 *4,450	6.34 (20.8)
3.0m 9.8ft	kg lb		*7,400 *16,310	7,060 15,560	*5,270 *11,620	3,750 8,270	3,780 8,330	2,420 5,340	*2,010 *4,430	1,950 4,300	6.86 (22.5)
1.5m 4.9ft	kg lb		*8,670 *19,110	6,370 14,040	5,750 12,680	3,520 7,760	3,670 8,090	2,330 5,140	*2,120 *4,670	1,840 4,060	7.02 (23.0)
0.0m 0.0ft	kg lb		*7,060 *15,560	6,070 13,380	5,550 12,240	3,350 7,390	3,590 7,910	2,250 4,960	*2,370 *5,220	1,870 4,120	6.85 (22.5)
-1.5m -4.9ft	kg lb	*4,940 *10,890	*4,940 *10,890	*8,670 *19,110	6,040 13,320	5,480 12,080	3,290 7,250	3,560 7,850	2,230 4,920	2,080 4,590	6.32 (20.7)
-3.0m -9.8ft	kg lb			*6,550 *14,440	6,150 13,560	*4,580 *10,100	3,340 7,360		*3,410 *7,520	2,670 5,890	5.33 (17.5)

Boom: 4.6 m (15' 1") / Arm: 2.5 m (8' 2") / Shoe: 600mm(24") triple grouser with 2,800kg (6,170lb) CWT, Dozer Down

Load point height m (ft)	Load radius								At max. reach		
	1.5 m (5 ft)		3.0 m (10 ft)		4.5 m (15 ft)		6.0 m (20 ft)		Capacity	Reach	
7.5m 24.6ft	kg lb		*3,760 *8,290	*3,760 *8,290					*2,770 *6,110	*2,770 *6,110	3.56 (11.7)
6.0m 19.7ft	kg lb			*3,650 *8,050	*3,650 *8,050				*2,180 *4,810	*2,180 *4,810	5.37 (17.6)
4.5m 14.8ft	kg lb		*4,000 *8,820	*4,000 *8,820	*4,260 *9,390	4,260 9,390	*3,100 *6,830	2,750 6,060	*2,020 *4,450	*2,020 *4,450	6.34 (20.8)
3.0m 9.8ft	kg lb		*7,400 *16,310	*7,400 *16,310	*5,270 *11,620	4,170 9,190	*4,340 *9,570	2,680 5,910	*2,010 *4,430	2,010 4,430	6.86 (22.5)
1.5m 4.9ft	kg lb		*8,670 *19,110	7,250 15,980	*6,050 *13,340	3,930 8,660	*4,610 *10,160	2,590 5,710	*2,120 *4,670	2,050 4,520	7.02 (23.0)
0.0m 0.0ft	kg lb		*7,060 *15,560	6,950 15,320	*6,380 *14,070	3,760 8,290	*4,670 *10,300	2,510 5,530	*2,370 *5,220	2,090 4,610	6.85 (22.5)
-1.5m -4.9ft	kg lb	*4,940 *10,890	*4,940 *10,890	*8,670 *19,110	6,910 15,230	*5,990 *13,210	3,700 8,160	*4,200 *9,260	2,330 5,140	2,300 5,140	6.32 (20.7)
-3.0m -9.8ft	kg lb			*6,550 *14,440	*6,550 *14,440	*4,580 *10,100	3,750 8,270		*3,410 *7,520	2,980 6,570	5.33 (17.5)

- 1 | Lifting capacity are based on ISO 10567.
- 2 | Lifting capacity of HX Series does not exceed 75% of tipping load with the machine on firm, level ground or 87% of full hydraulic capacity.
- 3 | The Lift-point is bucket pivot mounting pin on the arm (without bucket mass).
- 4 | (\*) indicates load limited by hydraulic capacity.



## HX145LCR MONO BOOM

Boom: 4.6 m (15' 1") / Arm: 3.0 m (9' 10") / Shoe: 600mm(24") triple grouser with 2,800kg (6,170lb) CWT

Load point height m (ft)	Load radius										At max. reach		
	1.5m (4.9ft)		3.0m (9.8ft)		4.5m (14.8ft)		6.0m (19.7ft)		7.5m (24.6ft)		Capacity	Reach	
7.5m 24.6ft	kg lb										*2,450 *5,400	*2,450 *5,400	4.28 (14.0)
6.0m 19.7ft	kg lb					*3,290 *7,250	*3,290 *7,250				*2,070 *4,560	*2,070 *4,560	5.86 (19.2)
4.5m 14.8ft	kg lb					*3,580 *7,890	*3,580 *7,890	*3,180 *7,010	2,410 5,310		*1,960 *4,320	1,950 4,300	6.76 (22.2)
3.0m 9.8ft	kg lb			*5,770 *12,720	*5,770 *12,720	*4,880 *10,760	3,640 8,020	3,510 7,740	2,330 5,140		*1,980 *4,370	1,700 3,750	7.25 (23.8)
1.5m 4.9ft	kg lb			*8,900 *19,620	6,210 13,690	5,280 11,640	3,380 7,450	3,390 7,470	2,220 4,890		*2,100 *4,630	1,600 3,530	7.40 (24.3)
0.0m 0.0ft	kg lb			*8,300 *18,300	5,770 12,720	5,050 11,130	3,180 7,010	3,280 7,230	2,120 4,670		*2,360 *5,200	1,620 3,570	7.24 (23.7)
-1.5m -4.9ft	kg lb	*4,720 *10,410	*4,720 *10,410	*9,180 *20,240	5,660 12,480	4,940 10,890	3,080 6,790	3,230 7,120	2,070 4,560		2,740 6,040	1,770 3,900	6.74 (22.1)
-3.0m -9.8ft	kg lb			*7,780 *17,150	5,720 12,610	4,950 10,910	3,090 6,810				3,400 7,500	2,190 4,830	5.82 (19.1)

Boom: 4.6 m (15' 1") / Arm: 3.0 m (9' 10") / Shoe: 600mm(24") triple grouser with 2,800kg (6,170lb) CWT, Dozer Up

Load point height m (ft)	Load radius										At max. reach		
	1.5m (4.9ft)		3.0m (9.8ft)		4.5m (14.8ft)		6.0m (19.7ft)		7.5m (24.6ft)		Capacity	Reach	
7.5m 24.6ft	kg lb										*2,450 *5,400	*2,450 *5,400	4.28 (14.0)
6.0m 19.7ft	kg lb					*3,290 *7,250	*3,290 *7,250				*2,070 *4,560	*2,070 *4,560	5.86 (19.2)
4.5m 14.8ft	kg lb					*3,580 *7,890	*3,580 *7,890	*3,180 *7,010	2,530 5,580		*1,960 *4,320	1,960 4,320	6.76 (22.2)
3.0m 9.8ft	kg lb			*5,770 *12,720	*5,770 *12,720	*4,880 *10,760	3,820 8,420	3,820 8,420	2,450 5,400		*1,980 *4,370	1,800 3,970	7.25 (23.8)
1.5m 4.9ft	kg lb			*8,900 *19,620	6,530 14,400	5,770 12,720	3,560 7,850	3,690 8,140	2,340 5,160		*2,100 *4,630	1,700 3,750	7.40 (24.3)
0.0m 0.0ft	kg lb			*8,300 *18,300	6,090 13,430	5,570 12,280	3,360 7,410	3,590 7,910	2,240 4,940		*2,360 *5,200	1,720 3,790	7.24 (23.7)
-1.5m -4.9ft	kg lb	*4,720 *10,410	*4,720 *10,410	*9,180 *20,240	5,980 13,180	5,460 12,040	3,260 7,190	3,530 7,780	2,200 4,850		*2,870 *6,330	1,880 4,140	6.74 (22.1)
-3.0m -9.8ft	kg lb			*7,780 *17,150	6,040 13,320	5,170 11,400	3,270 7,210				*3,520 *7,760	2,310 5,090	5.82 (19.1)

Boom: 4.6 m (15' 1") / Arm: 3.0 m (9' 10") / Shoe: 600mm(24") triple grouser with 2,800kg (6,170lb) CWT, Dozer Down

Load point height m (ft)	Load radius										At max. reach		
	1.5m (4.9ft)		3.0m (9.8ft)		4.5m (14.8ft)		6.0m (19.7ft)		7.5m (24.6ft)		Capacity	Reach	
7.5m 24.6ft	kg lb										*2,450 *5,400	*2,450 *5,400	4.28 (14.0)
6.0m 19.7ft	kg lb					*3,290 *7,250	*3,290 *7,250				*2,070 *4,560	*2,070 *4,560	5.86 (19.2)
4.5m 14.8ft	kg lb					*3,580 *7,890	*3,580 *7,890	*3,180 *7,010	2,800 6,170		*1,960 *4,320	1,960 4,320	6.76 (22.2)
3.0m 9.8ft	kg lb			*5,770 *12,720	*5,770 *12,720	*4,880 *10,760	4,240 9,350	*4,010 *8,840	2,720 6,000		*1,980 *4,370	1,980 4,370	7.25 (23.8)
1.5m 4.9ft	kg lb			*8,900 *19,620	7,420 16,320	5,770 12,720	3,980 8,770	*4,460 *9,830	2,600 5,730		*2,100 *4,630	1,890 4,170	7.40 (24.3)
0.0m 0.0ft	kg lb			*8,300 *18,300	6,970 15,370	5,770 12,720	3,770 8,310	*4,650 *10,250	2,510 5,530		*2,360 *5,200	1,920 4,230	7.24 (23.7)
-1.5m -4.9ft	kg lb	*4,720 *10,410	*4,720 *10,410	*9,180 *20,240	6,850 15,1								

# STANDARD / OPTION

ENGINE	STD	OPT
Perkins 1204F Engine	●	
<b>HYDRAULIC SYSTEM</b>		
<b>Intelligent Power Control (IPC)</b>		
3-power mode, 2-work mode, user mode	●	
Variable Power Control	●	
Pump Flow Control	●	
Attachment Mode Flow Control		●
Engine Auto Idle	●	
Engine Auto Shutdown Control	●	
Electronic Fan Control	●	
Hyundai Bio Hydraulic Oil (HBHO)		●
<b>CAB &amp; INTERIOR</b>		
<b>ISO Standard cabin</b>		
Rise-up type windshield wiper	●	
Radio / USB player	●	
Handsfree mobile phone system with USB	●	
12 volt power outlet (24V DC to 12V DC converter)	●	
Electric horn	●	
All-weather steel cab with 360° visibility	●	
Safety glass windows	●	
Sliding fold-in front window	●	
Sliding side window(LH)	●	
Lockable door	●	
Storage compartment & Ashtray	●	
Transparent cabin roof-cover	●	
Sun visor	●	
Door and cab locks, one key	●	
Mechanical suspension seat with heater	●	
Pilot-operated slidable joystick	●	
Console box height adjust system	●	
<b>Automatic climate control</b>		
Air conditioner & heater	●	
Defroster	●	
Starting Aid (air grid heater) for cold weather	●	
<b>Centralized monitoring</b>		
8" LCD display	●	
Engine speed or Trip meter/Accel.	●	
Engine coolant temperature gauge	●	
Max power	●	
Low speed/High speed	●	
Auto idle	●	
Overload warning with alarm		●
Check Engine	●	
Air cleaner clogging	●	
Indicators	●	
ECO Gauges	●	
Fuel level gauge	●	
Hyd. oil temperature gauge	●	
Warnings	●	
Communication error	●	
Low battery	●	
Clock	●	
Cabin lights		●
Cabin front window rain guard		●
<b>Seat</b>		
Adjustable air suspension seat with heater		●
<b>Cabin FOPS (ISO 10262) Level 2</b>		
FOPS (Falling Object Protective Structure) · ISO 10262 Level 2		●
<b>Cabin ROPS (ISO 12117-2)</b>		
ROPS (Roll Over Protective Structure)	●	

SAFETY	STD	OPT
Battery master switch	●	
Rearview camera		●
AAVM (Advanced Around View Monitoring)		●
Front working lights(2 boom mounted, 2 front frame mounted)	●	
Travel alarm		●
Rear work lamp		●
Beacon lamp		●
Automatic swing brake	●	
Boom holding system	●	
Arm holding system	●	
Safety lock valve for boom cylinder with overload warning device		●
Safety lock valve for arm cylinder		●
Swing Lock System		●
Outside rearview mirror	●	
<b>OTHER</b>		
<b>Booms</b>		
4.6 m, 15' 1"	●	
<b>Arms</b>		
2.5 m, 8' 2"	●	
3.0 m, 9' 10"		●
Removable clean-out dust net for cooler	●	
Removable reservoir tank	●	
Fuel pre-filter	●	
Self-diagnostics system	●	
Hi MATE (Remote Management System)		●
Batteries (2 x 12V x 100 AH)	●	
Fuel filler pump (20 L/min)		●
Single-acting piping kit (breaker, etc.)		●
Double-acting piping kit (clamshell, etc.)		●
Rotating Piping Kit		●
Quick coupler piping		●
Quick coupler		●
Accumulator for lowering work equipment	●	
Pattern change valve (2 patterns)		●
Fine Swing Control System		●
Tool kit		●
<b>UNDERCARRIAGE</b>		
Lower frame under cover (Additional)		●
Lower frame under cover (Normal)	●	
<b>Track shoes</b>		
Triple grousers shoes (500mm, 20")		●
Triple grousers shoe (600 mm, 24")	●	
Triple grousers shoe (700 mm, 28")		●
Rubber pad (500 mm, 20")		●
Track pad (500 mm, 20")		●
Track pad (600 mm, 24")		●

\* Standard and optional equipment may vary. Contact your Hyundai dealer for more information.  
The machine may vary according to International standards.

\* The photos may include attachments and optional equipment that are not available in your area.

\* Materials and specifications are subject to change without advance notice.

\* All imperial measurements rounded off to the nearest pound or inch.

# MEMO

