

Robex R60WVS PRO

With Tier 3 Engine Installed



* Photo may include optional equipment.



Head Office(Sales Office)
14F, GLOBAL R&D CENTER, 477 BUNDANG SUSEO-RO, BUNDANG-GU, SEONGNAM-SI, GYEONGGI-DO, 13553, KOREA

PLEASE CONTACT

Rated Power
42.5 kW / 2,400 rpm

Default bucket capacity
0.21 m³

Operating Weight
5,750 kg

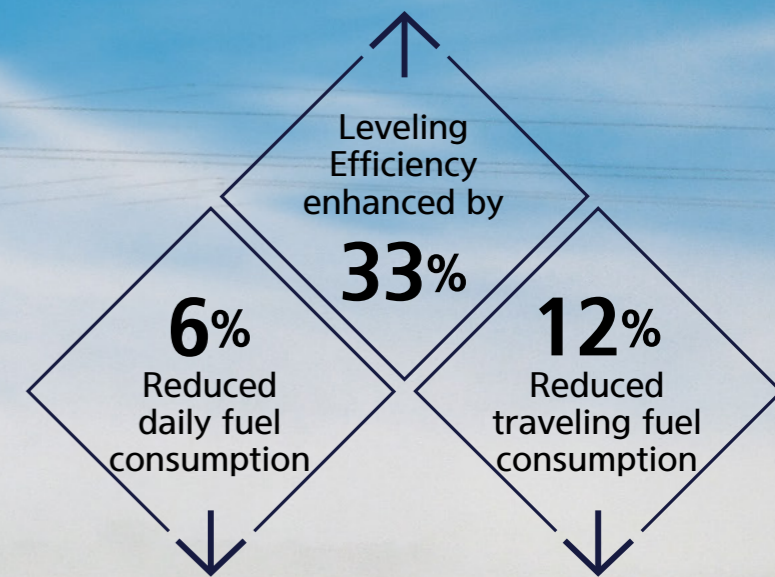


Best Quality, Customers First

Hyundai VS Series Excavator is equipped with Tier 3 Engine, showing excellent performance and quality.

It has excellent safety, durability, comfort, work efficiency, contaminant exhaust reduction, and energy-saving effect. The noise level is very low.

Hyundai Construction Equipment established "Best Quality, Customers First" as the first goal based on an innovative mind. The company satisfies customers' needs through a standardized production process -having constructed an advanced customer service system - and values customer experiences as well as the best products in the world.



An urban pioneer!

R60WVSPRO:

A Profitable equipment with production efficiency, mobility, and freshness



Continuous core power

- Possession of a strong heart with powerful Yanmar Engine
- Guaranteed engine power with complete combustion of diesel oil
- Guaranteed engine durability, reduced harmful gas exhaust, and realization of environment-friendliness with the use of multiple-fuel filter system



Advanced hydraulic system

- Work speed is further enhanced with the application of advanced load-sensing hydraulic system and operation efficiency is improved, pressure loss is reduced, and fuel consumption is reduced by removing the influence of load during complicated work.
- Work speed and complicated work capability are enhanced with oil circuit design optimized for the main control valve.
- More convenient turning operation and easy control with the installation of parking brake.



Safe, stable travel system

- Improved travel capability at low-turning speed
- Guaranteed smooth and safe work with the excellent bridge box system of Hyundai Wheel Excavator based on inherited tradition
- Guaranteed more excellent frame safety on rough roads with the use of fully automatic suspension systems
- Safe and stable gradeability with rational weight distribution and stable grounding power
- Guaranteed economic efficiency and operation cost saving through worksite change in addition to guaranteed operation stability and convenience based on human-focused ideology



Increased durability of structures

- Installation of highly durable boom and arm and maximized frame strength with the use of cast steel
- Enables running against strong impacts on the upper and lower parts of the cabin and workload even in a poor work environment
- Improved equipment stability and durability through optimization of lower frame of the cabin

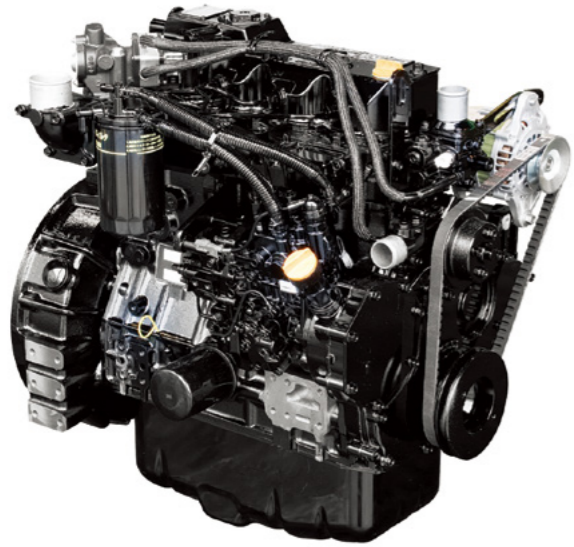


Pleasant operation

- Wide internal space of HX Series cabin
- Easy understanding of equipment information at a glance with the 5.7-inch LCD monitor
- Fresh indoor temperature for workers with the installation of a professional tailored air conditioner
- Ergonomic driver's seat for convenient location to suit the operator's body and to minimize operator fatigue



Improved operating capabilities

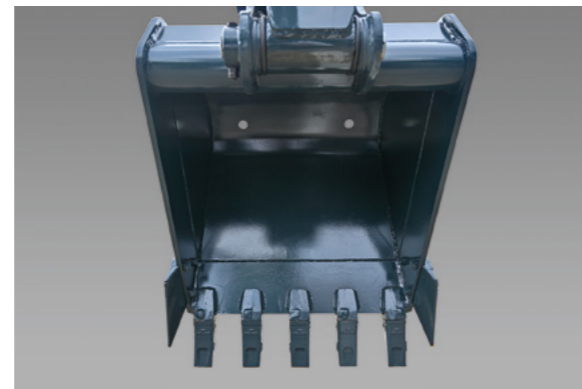


Yanmar Engine 4TNV98-E High engine power grade

Yanmar Engine 4TNV98-E with maximum torque of 20.6kgf.m/1,800rpm. It means that larger power is generated when maximum output of R60WVSPRO is achieved. Customers can complete work with use of larger power.



- Extended lifetime with use of cast steel for whole core parts
- Perfect conformity achieved with use of original Hyundai factory manufactured pipes **OPTION**



- Maximized work efficiency with 0.21m³ bucket
- Improved lateral lubrication and prevention of loosening with the application of highly durable shaft cover



- Increased low-fuel consumption mode (S Mode)
- Maximum running speed in S Mode is 26km/h.
- Further enhanced stability and durability of equipment with optimized lower frame structure
- Improved work efficiency with convenient change of work environment by enhancing the running speed and running acceleration

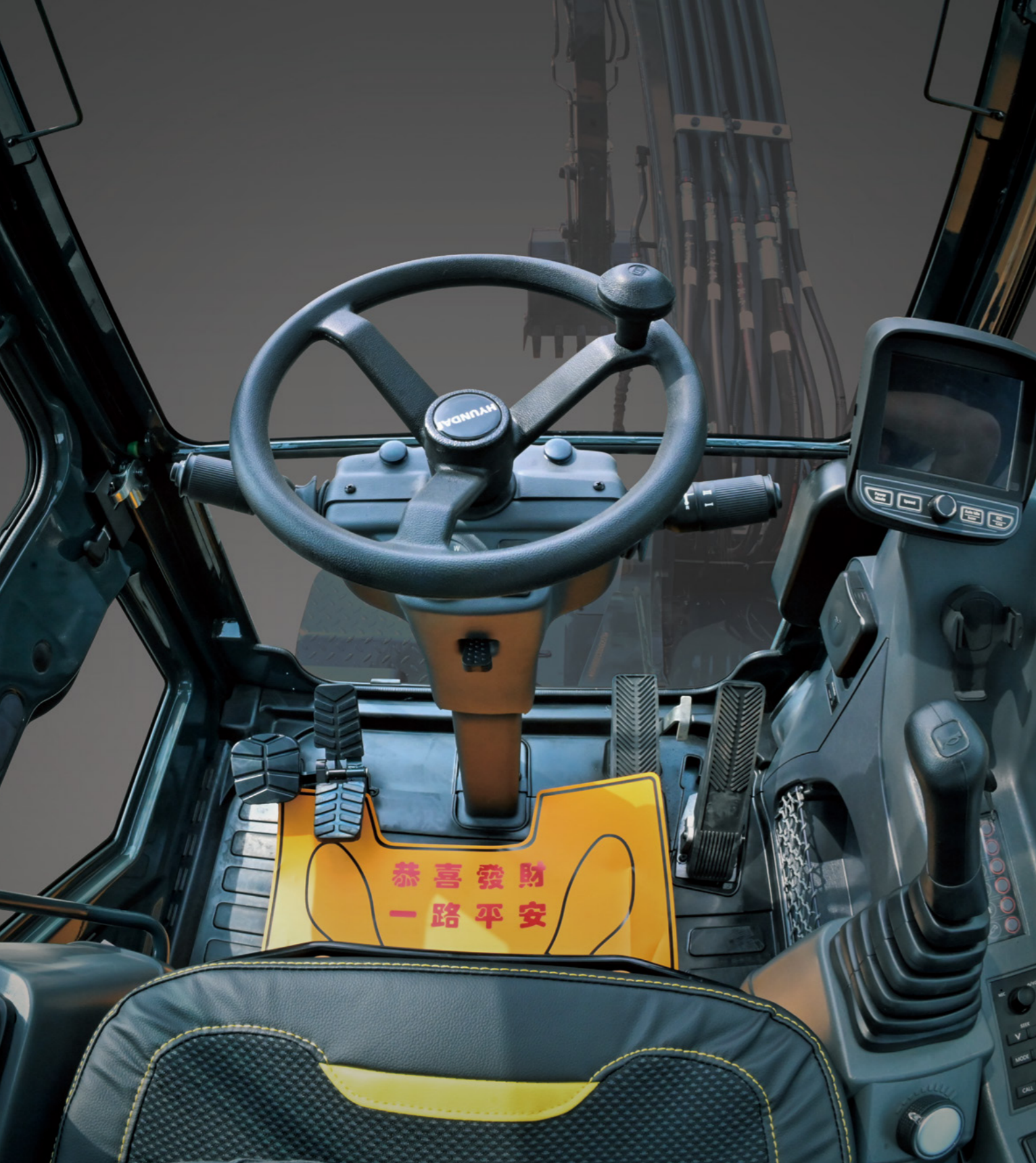


- Easy leveling and filling operation with the use of a bulldozer
- The oil cylinder protection plate covers the whole cylinder, which prevents oil cylinder damages.



Highly efficient work capability

R60WVSPRO works with a dexterous body in all worksites requiring its work such as urban infrastructure construction, green business, canal opening and leveling, agricultural village construction, etc. If Hyundai quick-change connector is concurrently used, different model equipment can be used more easily.



Wide work view

Wide work view and driver's comfort is provided by designing the cabin of R60WVS PRO in consideration of a wider space. Especially, sufficient visibility and predictability is proved to meet surrounding environment to be worked with use of clear, advanced, safe, and comfortable internal structures. Based on such excellent matching method, the worker may get safe, credible, and optimum work position.

The pleasure of operation achieved in a comfortable operation environment.

HX Series cabin considering worker's convenience and comfort



Driver's seat with suspension

All-direction adjustable driver's seat seeks the most comfortable position to reduce travel fatigue.



Rear camera OPTION

A high-resolution camera detects safe positions in the surroundings of the cabin for early risk detection.



- Opening/Closing is easy and convenient, and ventilation is improved with the application of gas-spring sliding windows.
- Equipment status, fuel consumption, and maintenance information can be seen at a glance with the application of 5.7-inch LCD monitor.
- Improved operation and application with the concentrated arrangement of power devices.

Performances and specifications

Engine

| Model | | Yanmar 4TNV98-E |
|---------------------|-----------|--|
| Type | | 4-cycle water-cooled diesel engine, 4-cylinders, direct injection, and low-exhaust |
| Rated Power | kW/rpm | 42.5/2,400 |
| Max. torque | Kgf.m/rpm | 20.6/1,800 |
| Bore x stroke | Mm | 98 X 110 |
| Piston displacement | Cc | 3,319 |
| Batteries | | 1 X 12V X 100AH |
| Starting motor | | 12V-3.0kW |
| Alternator | | 12V-100Amp |

Hydraulic system

| Main pump | |
|----------------------|---|
| Type | Electronically controlled Variable Displacement Piston Pump |
| Max. flow l/min | 170.4 |
| Pilot pump type | Gear pump |
| Hydraulic motor | |
| Travel | Two-stage axial piston motor with brake valve and parking brake |
| Swing | Axial piston motor with automatic brake |
| Relief valve setting | |
| Implement circuit | 240 |
| Travel circuit | 230 |
| Swing circuit | 230 |
| Pilot valve circuit | 30 |

Hydraulic system

| | |
|-------------------|----------|
| Max. Travel speed | 31km/h |
| Gradeability | 35°(70%) |

Operation

Easy and convenient operation with pedals for pilot-mode control and detachable control rod

| | |
|---------------------|---|
| Pilot control | Two control rods equipped with safety locking levers (Left) Rotation, Arm (Right) Boom, Bucket |
| Travel and steering | Pedal and steering wheel |
| Engine Throttle | Electricity, dial type |

Swing system

| | |
|--------------------------|--------------------------|
| Swing motor | Axial piston motor |
| Swing reduction | Planetary gear reduction |
| Swing system lubrication | Grease-bathed |
| Swing brake | Multi disc brake |
| Swing speed | 10rpm |

Coolant and lubrication

| Storage capacity | Liter(L) |
|------------------------------------|----------|
| Fuel tank | 125 |
| Engine coolant | 9.5 |
| Engine oil | 11.6 |
| Rotation device | 1.5 |
| Transmission | 1.8 |
| Hydraulic oil tank | 70 |
| Hydraulic system | 120 |
| Front/Back differential gear boxes | 4.5 |

Bridge & tires

Full floating front Axle supports the swing function through a center lock shaft and the lock function through the swing balance oil cylinder.

| | |
|------|---------------------------------|
| Tire | 12.0 X 16.5(12PR), single wheel |
|------|---------------------------------|

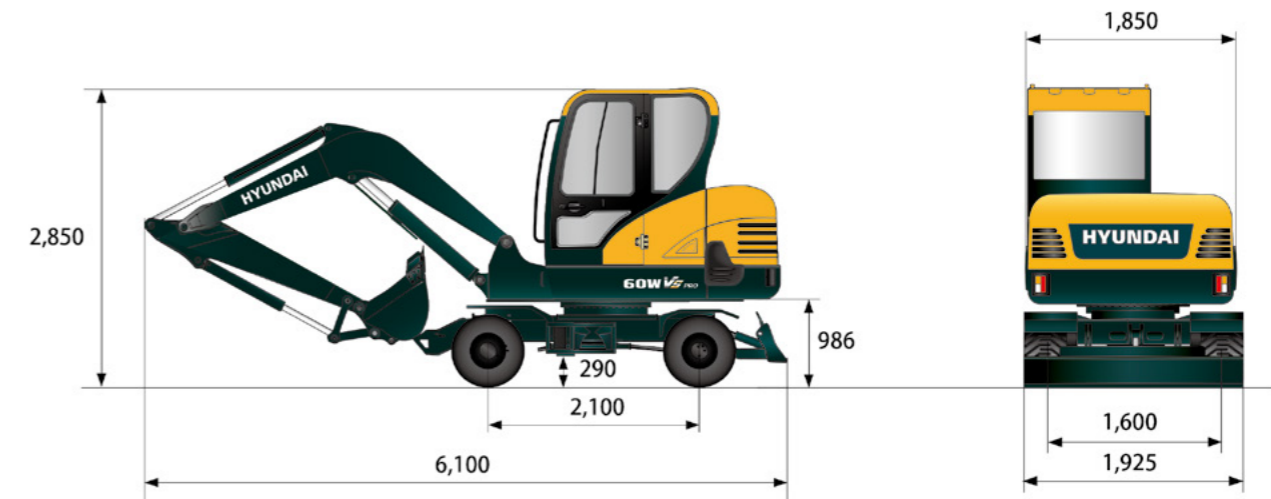
Bulldozer

Bulldozer is an attachment for special uses. Example: Leveling, filling, or arrangement work

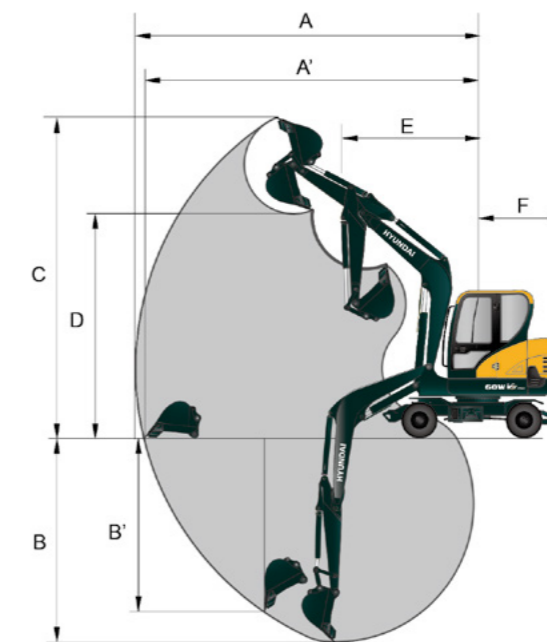
| | |
|-----------|--|
| Bulldozer | W x H : 1,925 X 355mm Max elevation height over ground : 445mm Max underground depth : 140mm |
|-----------|--|

Dimensions & working range

Dimensions



Working range



Units : mm

| | |
|-------------------------------------|-------|
| Boom length | 3,000 |
| Arm length | 1,600 |
| A Max. digging reach | 6,150 |
| A' Max. digging reach on ground | 5,980 |
| B Max. digging depth | 3,500 |
| B' Max. vertical wall digging depth | 2,960 |
| C Max. digging height | 6,070 |
| D Max. dumping height | 4,340 |
| E Min. swing radius | 2,350 |
| F Rear-end turning radius | 1,650 |