

HW250 MH

With Tier 4 Final Engine installed

* Photo may include optional equipment.



Head Office(Sales Office)
14F, GLOBAL R&D CENTER, 477 BUNDANG SUSEO-RO, BUNDANG-GU, SEONGNAM-SI, GYEONGGI-DO, 13553, KOREA

PLEASE CONTACT

Gross Power (J1995)
183 HP (136.8 kW) at 2,000 rpm

Net Power (J1349)
183 HP (136.8 kW) at 2,000 rpm

Operating Weight
Front & Rear Outrigger : 26,100 kg (57,540 lb)
Front & Rear Outrigger with Orange Grappler :
27,500 kg (60,630 lb)

WHAT'S NEWEST AND BEST

HW250MH

THE BEST PRODUCTIVITY AND DURABILITY

- Side Type Arm Cylinders
- Gooseneck Arm for Orange Grapppler
- Straight Arm for Sorting Grap
- Cover Plate for Piping
- Enhanced Cover Plate for Outigger
- Fast Speed for Boom and Swing
- Side Bumper Fast Speed for Boom and Swing

EASY CONTROL AND OPERATOR'S SAFETY

- Dual Proportional RCV & Rotational Piping
- Hydraulic Rotational Grapppler
- Step for Cabin Entrance
- Side Bumper of Upper Structure
- Extra Safety Lever of Cabin (Europe Only)
- Extra Mirror for Blind Spot Watching

POWERFUL CABIN ELEVATING

- Super Structure of Supporting Frame
- 2.5 meter Elevating for Visibility
- Handle Valve as Extra Feature for Emergency Exit
- FOG available

FOR YOUR SATISFACTION

- Wide Axle Available
- Solid Tyre Available
- Rear Camera & LED Work Lamp



* Photo may include optional equipment.

New Cabin Lifting

- 2.5 meter elevating for visibility
- Handle valve as extra feature for emergency exit



Side type Arm Cylinders

More balance and robust image



Super Structure of Supporting Frame

Box structure applied on supporting plates all



Extra Step for Operator, on Outrigger + Cab. Step

Convenience of cab. Entrance



THE BEST PRODUCTIVITY AND FUEL EFFICIENCY

Equipped with eco-friendly, high-performance engines that meet the Tier 4 Final engine emission requirements.

* Photo may include optional equipment.

Handle Valve

- Manually Lifting Control for Emergency Exit
- Available for it from outside – ground condition

Inside Cabin



Outside Cabin



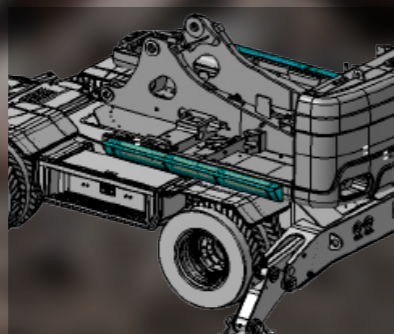
More Lifting Height

Upgraded height (2.5 meter Elevating)



Side Bumper Applied as Standard Feature

Covering on upper body and good feeling to customers



POWERFUL CABIN ELEVATING

The true value of HW250 MH in its durability. The robust frame structure and the attachments show the real value of HW250 MH in tough working environments and promise higher productivity.



*Photo may include optional equipment.

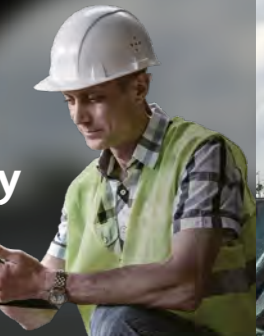


EASY CONTROL AND OPERATOR'S SAFETY

Many electronic functions are concentrated in the most convenient spot for operators to improve work efficiency. The highly-advanced infotainment system, a product of HCE's intensive information technology development, enables both productivity and comfort while working! HW250 MH is designed with the operator in mind.



HW250 MH with advanced technology ensures our safety on a construction site.



Excavators are products of HCE's spirit of initiative, creativity, and strong drive. HCE engineers, who are the best in the industry, have worked tirelessly to offer a zero-defect product. The new HW250 MH reflects customers' needs in the field gleaned by thorough monitoring.

Operator Comfort

In HW250 MH cabin you can easily adjust the seat, console and armrest settings to best suit your preferred comfort level. Seat and console position and height can be set together and independent from each other. Other preference settings that add to overall operator comfort include the full automatic high capacity airconditioning system and the Radio / USB player.



Reduced Stress

Work is stressful enough. Your work environment should be stress free. Hyundai's HW250 MH provides improved cab amenities, additional space and a comfortable seat to minimize stress to the operator. A powerful climate control system provides the operator with optimum air temperature. An advanced audio system with USB player, AM/FM stereo and, plus remotely located controls is perfect for listening to music favorites. Operators can even talk on the phone with the hands-free cell phone feature.

Operator - Friendly Cluster

The advanced new cluster with 7 inch wide color LCD screen and toggle switch allows the operator to select his personal machine preferences. Power and work mode selection, self diagnostics, optional rear-view camera, maintenance check lists, start-up machine security, and video functions were integrated into the cluster to make the machine more versatile and the operator more productive.

Enhanced Regulation Fulfillment

* For Europe Only



*Picture may include optional equipment.

SPECIFICATIONS

ENGINE

Maker / Model	CUMMINS QSB6.7		
Type	4 cycle turbocharged, charger air cooled diesel engine		
Rated flywheel horse power	SAE	J1995 (gross)	183 Hp (136.8 kW) at 2,000 rpm
		J1349 (net)	174 Hp (129.4 kW) at 2,000 rpm
DIN		6271/1 (gross)	186PS (136.8 kW) at 2,000 rpm
		6271/1 (net)	176PS (129.4 kW) at 2,000 rpm
Max. torque	85.7 kgf·m (620lbf·ft)/1,500rpm		
Bore X stroke	107 X 124 mm (4.2" X 4.9")		
Piston displacement	6,700 cc (409 in ³)		
Batteries	2 X 12V X 100Ah		
Starting motor	Denso 24V - 4.8 kW		
Alternator	Denso 24V - 95 Amp		

HYDRAULIC SYSTEM

MAIN PUMP

Type	Variable displacement tandem axis piston pumps
Max. flow	2 X 234 l/min (61.8 gpm)
Sub-pump for pilot circuit (Gear pump)	25.5 l/min (6.7 gpm)

CROSS-SENSING AND FUEL-SAVING PUMP SYSTEM

HYDRAULIC MOTORS

Travel	Two speed axial pistons motor with brake valve and parking brake
Swing	Axial piston motor with automatic brake

RELIEF VALVE SETTING

Implement circuits	350 kgf/cm ² (4,980 psi)
Travel	380 kgf/cm ² (5,400 psi)
Power boost (boom, arm, bucket)	380 kgf/cm ² (5,400 psi)
Swing circuit	265 kgf/cm ² (3,770 psi)
Pilot circuit	40 kgf/cm ² (570 psi)
Service valve	Installed

HYDRAULIC CYLINDERS

No. of cylinder bore x stroke	Boom	120 x 1,290 mm
	Arm	140 x 1,510 mm
	Outrigger	130 x 427 mm

* Hyundai Bio Hydraulic Oil (HBHO) available.

DRIVES & BRAKES

Drive method	Fully hydrostatic type
Drive motor	Axial piston motor, in-shoe design
Reduction system	Planetary reduction gear
Max. drawbar pull	11,600 kgf (25,570 lbf)
Max. travel speed (high / low)	35 km/h (21.7 mph) / 9.1 km/hr (5.65mph)
Gradeability	33° (65 %)

Service Brake :

- Independent dual brake, front and rear axle full hydraulic power brake.
- Spring released and hydraulic applied wet type multiple disc brake.

Parking Brake :

- Spring applied and hydraulic released wet disc brake type in transmission.

CONTROL

Pilot pressure operated joysticks and pedals with detachable lever provide almost effortless and fatigueless operation.

Pilot control	Two joysticks with one safety lever (LH): Swing and arm, (RH): Boom and bucket(ISO)
Traveling and steering	Pedals and Handle
Engine throttle	Electric, Dial type

OPERATING WEIGHT (APPROXIMATE)

Operating weight including 6.5 m (21' 4") Straight boom, 4.5 m (14' 9") Gooseneck arm, 0.60 m³ (0.78 yd³), Lubricant, Coolant, Full Fuel Tank and Hydraulic Tank and etc.

OPERATING WEIGHT

Front & Rear Outrigger	26,100 kg (57,540 lb)
Front & Rear Outrigger with Orange Grappler	27,500 kg (60,630 lb)

SWING SYSTEM

Swing motor	Fixed displacement axial piston motor
Swing reduction	Planetary gear reduction
Swing bearing lubrication	Grease-bathed
Swing brake	Multi wet disc
Swing speed	9.7 rpm

SERVICE REFILL CAPACITIES

Re-filling	liter	UK gal	
Fuel tank	310.0	81.9	
Engine coolant	40.0	10.6	
Engine oil	23.7	6.3	
Swing device	6.2	1.6	
Axle	Front	14.6	3.9
	Rear	18.5	4.9
Hydraulic system (including tank)	340.0	89.8	
Hydraulic tank	165.0	43.6	
DEF / AdBlue®	27.0	7.1	

UNDERCARRIAGE

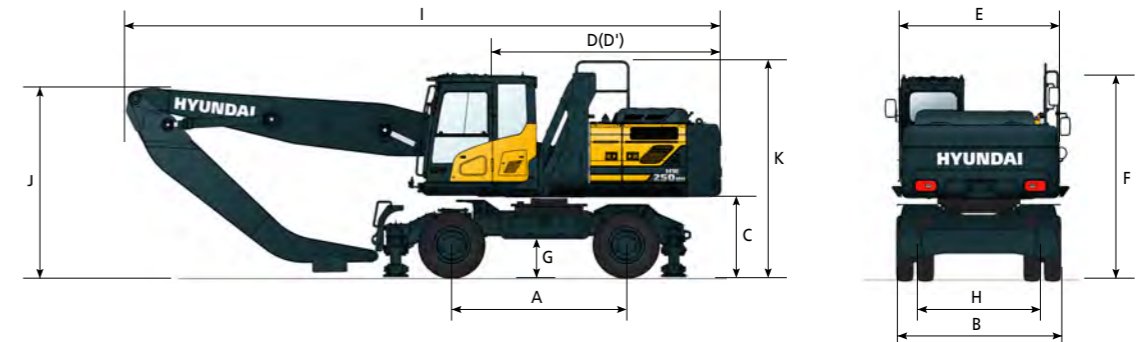
Reinforced box-section frame is all-welded, low-stress. Dozer blade and outriggers are available. A pin-on design.

Outrigger	Indicated for max. operation stability when digging and lifting. Can be mounted on the front/or the rear.
-----------	---

DIMENSIONS & WORKING RANGE

HW250 MH DIMENSIONS

6.5 m (21' 4") Mono boom, 4.5 m (14' 9") Arm.



		mm	(ft - in)
A	Wheel Base	2,800	(9' 2")
B	Standard Axle	2,530	(8' 4")
	Wide Axle	2,700	(8' 10")
C	Ground Clearance of Counterweight	1,300	(4' 3")
D	Rear-end Distance	2,840	(9' 4")
D'	Rear-end Swing Radius	2,913	(9' 7")
E	Upperstructure Width	2,530	(8' 4")
F	Overall Height of Cab	3,245	(10' 8")
G	Min. Ground Clearance	353	(1' 2")
H	Tread	1,914	(6' 3")

		mm	(ft - in)
	Boom Length	6,500	(21' 4")
	Arm Length	4,500	(14' 9")
I	Overall Length (Shipping Position)	9,730	(31' 11")
J	Overall Height of Boom (Shipping Position)	3,200	(10' 6")
K	Overall Height of Guardrail	3,460	(11' 4")

HW250 MH WORKING RANGE



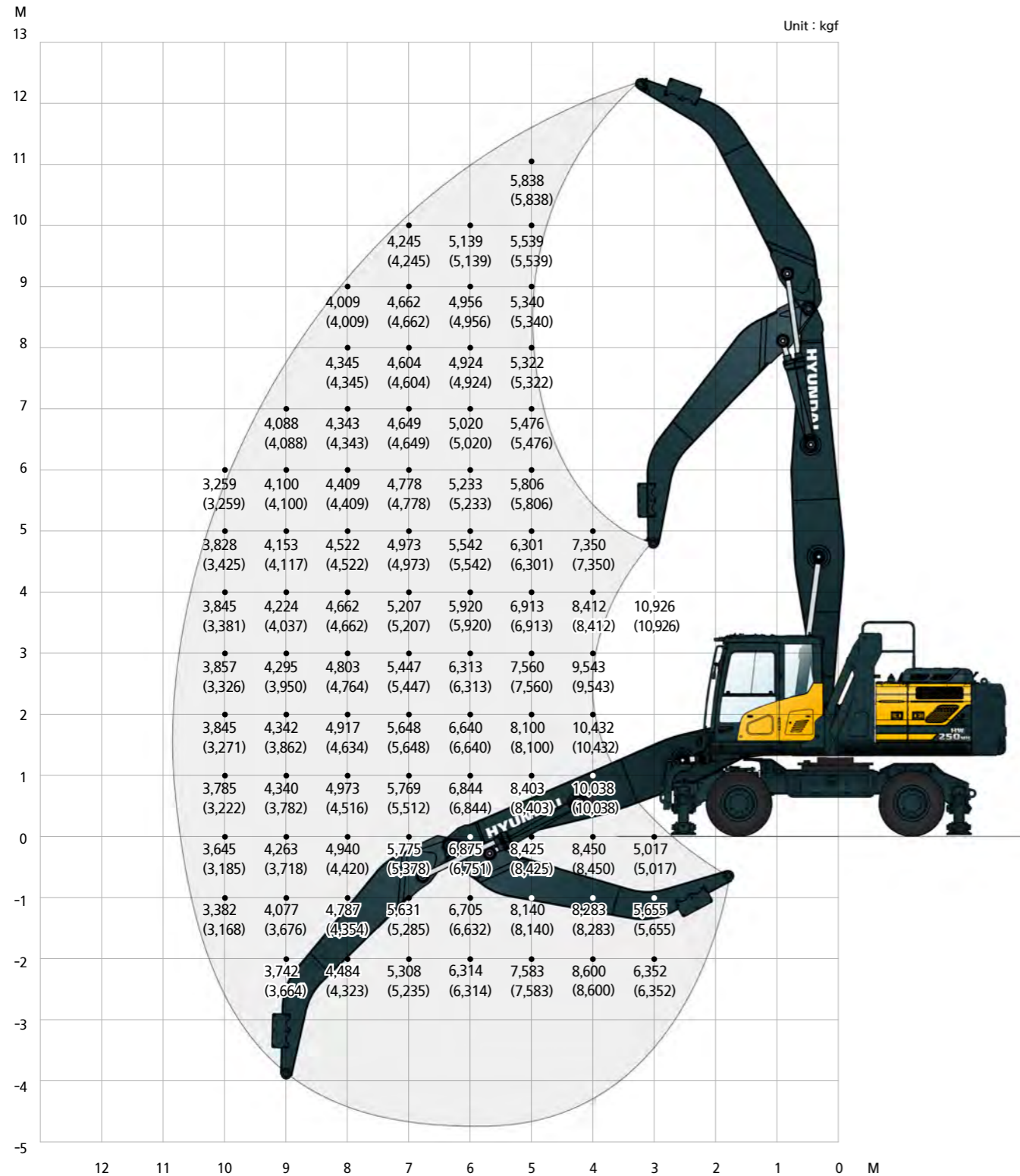
		mm	(ft - in)
	Boom Length	6,500	(21' 4")
Arm Length	Gooseneck Arm	4,500	(14' 9")
	Straight Arm (Optional)	4,000	(13' 1")
A	Max. Digging Reach	10,700	(35' 1")
B	Max. Digging Depth	4,700	(15' 5")
D	Max. Digging Height	12,000	(39' 4")
F	Min. Swing Radius (without grappler)	2,700	(8' 10")
F'	Min. Swing Radius (with grappler)	3,000	(9' 10")

HW250 MH LIFTING CAPACITY CHART

F : Rating over-front
S : Rating over-side or 360 degree

HW250 MH GOOSENECK ARM

6.5 m (21' 4") Mono boom, 4.5 m (14' 9") Arm.

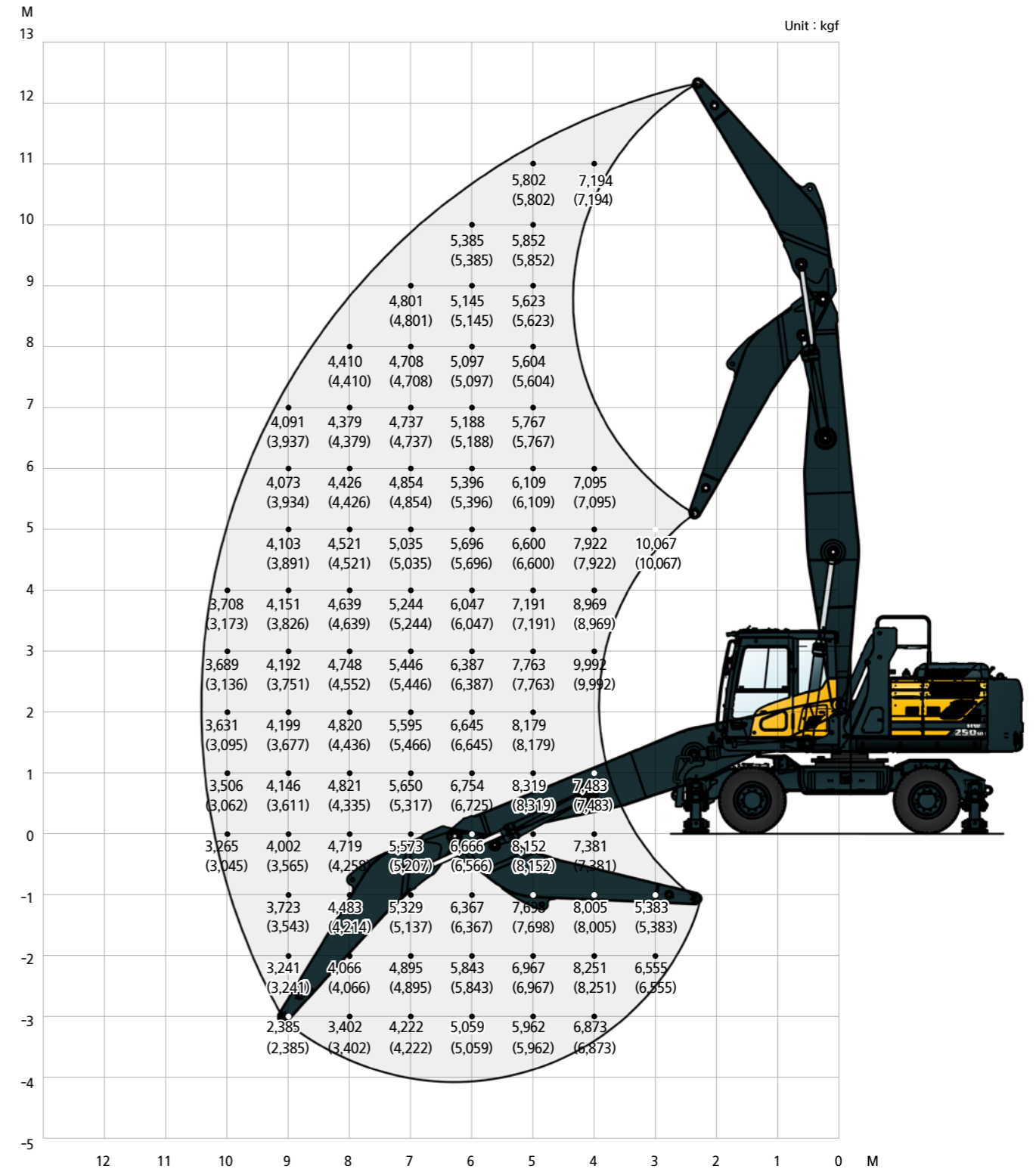


- Lifting capacity is based on SAE J1097, ISO 10567. **without Grappler.**
- Load point is the end pin point of front attachment.
- Lifting capacity does not exceed 75% of tipping load or 87% of hydraulic capacity.
- Lifting capacity is based on 350k system pressure therefore boost condition may have more lifting force.

F : Rating over-front
S : Rating over-side or 360 degree

HW250 MH STRAIGHT ARM

6.5 m (21' 4") Mono boom, 4.0 m (13' 1") Arm.



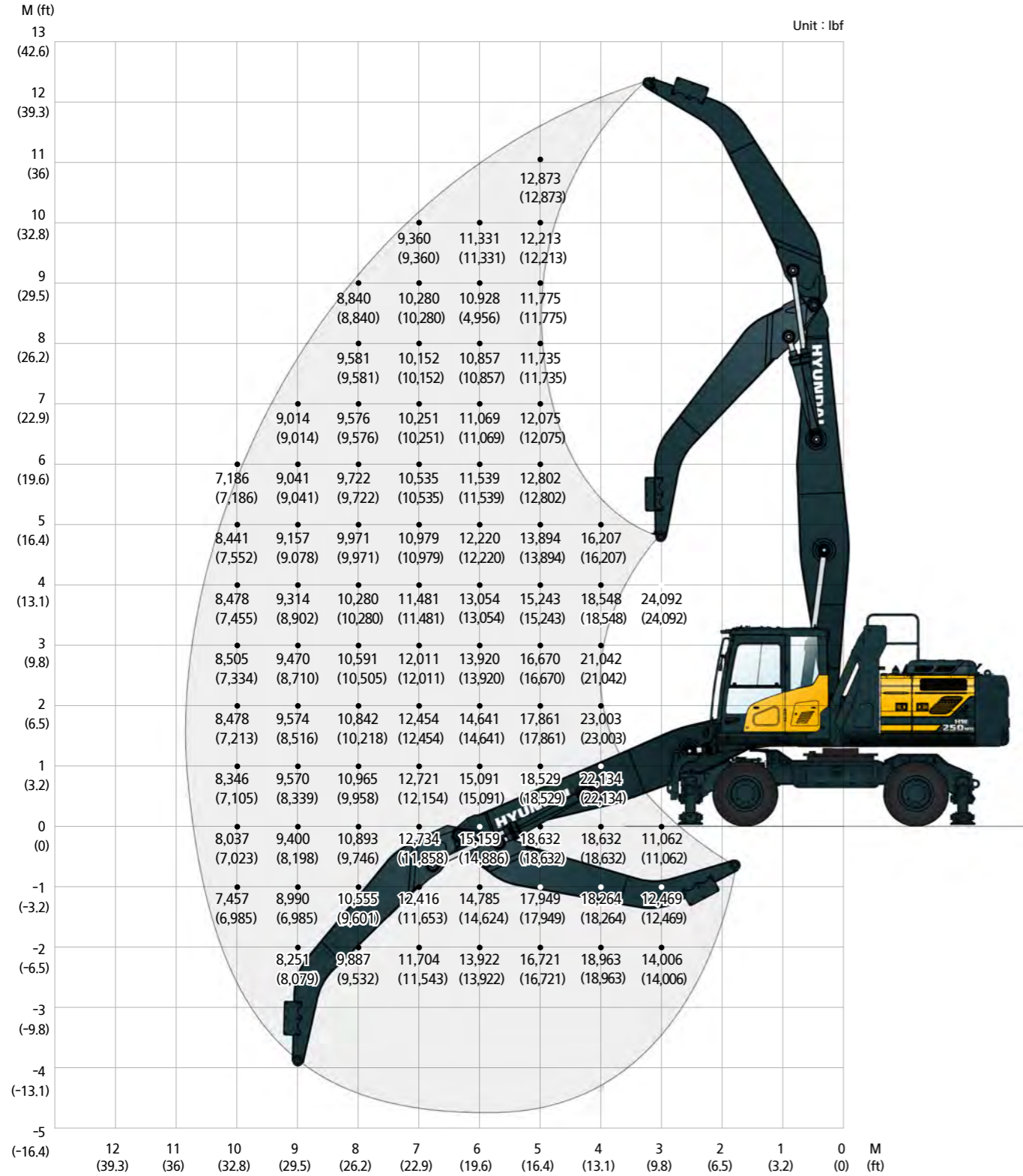
- Lifting capacity is based on SAE J1097, ISO 10567. **without Grappler.**
- Load point is the end pin point of front attachment.
- Lifting capacity does not exceed 75% of tipping load or 87% of hydraulic capacity.
- Lifting capacity is based on 350k system pressure therefore boost condition may have more lifting force.
*The StraightArm has its bucket cylinder and the link in real.

HW250 MH LIFTING CAPACITY CHART

F : Rating over-front
S : Rating over-side or 360 degree

HW250 MH GOOSENECK ARM

6.5 m (21' 4") Mono boom, 4.5 m (14' 9") Arm.

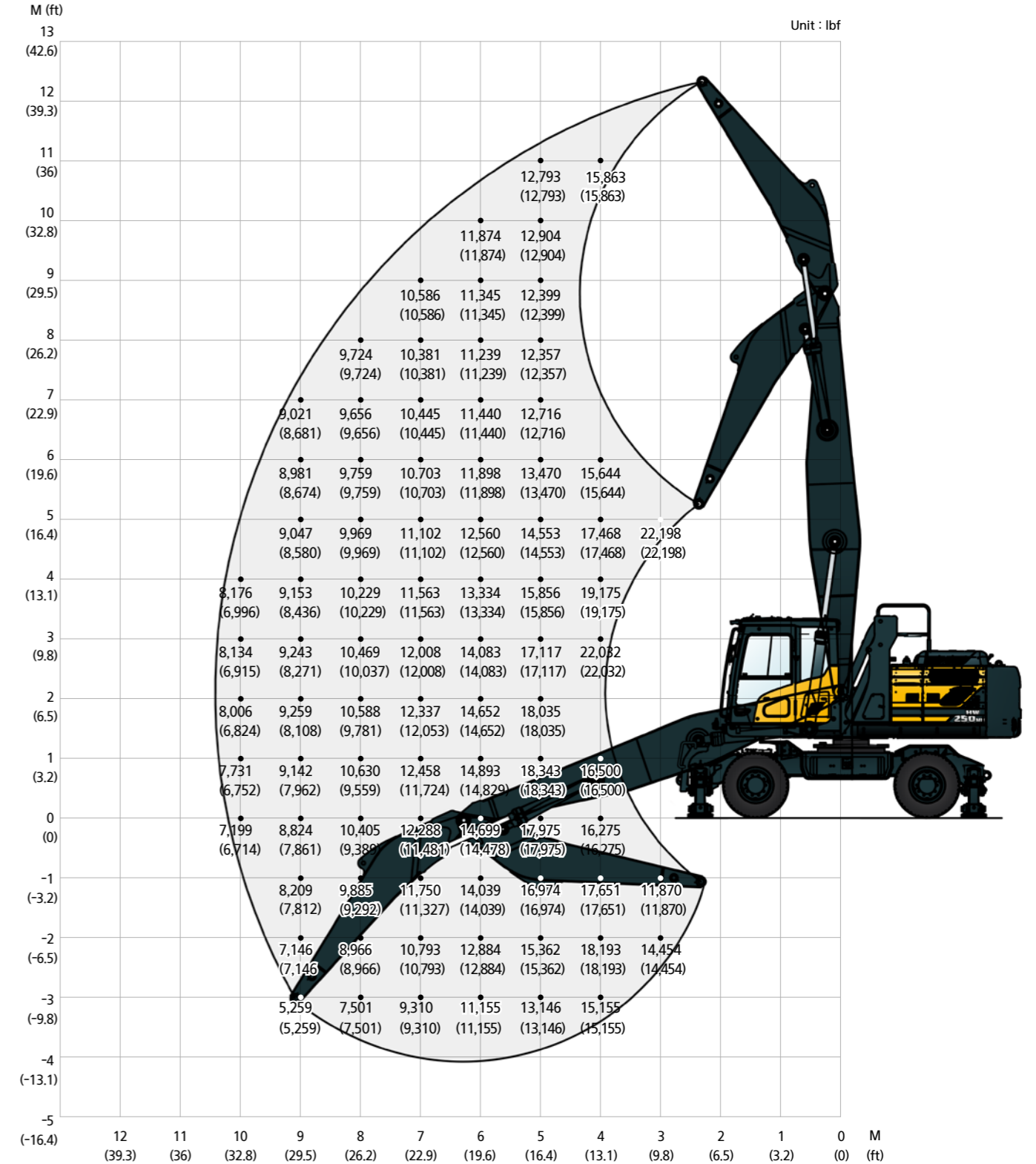


- Lifting capacity is based on SAE J1097, ISO 10567. **without Grappler.**
- Load point is the end pin point of front attachment.
- Lifting capacity does not exceed 75% of tipping load or 87% of hydraulic capacity.
- Lifting capacity is based on 350k system pressure therefore boost condition may have more lifting force.

F : Rating over-front
S : Rating over-side or 360 degree

HW250 MH STRAIGHT ARM

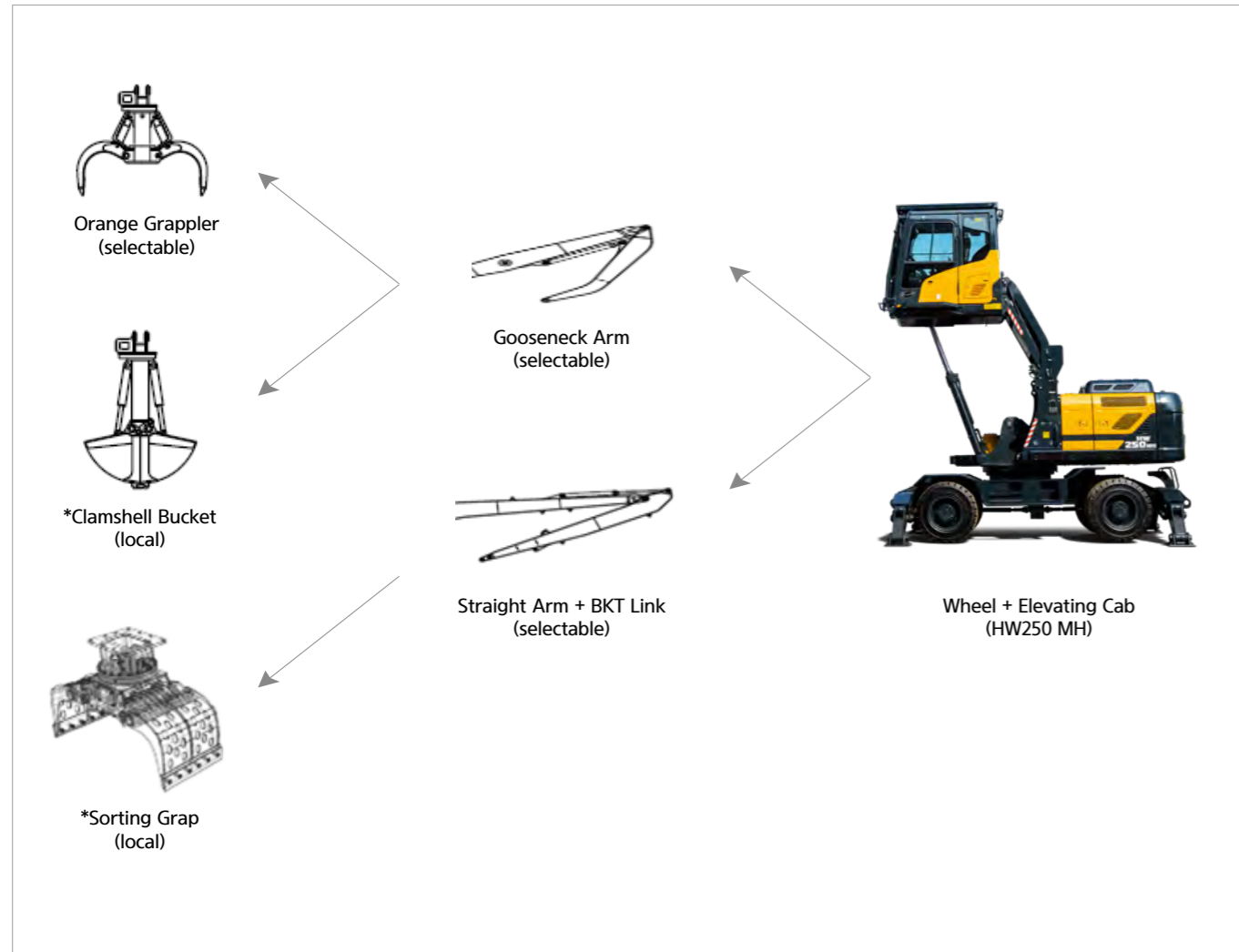
6.5 m (21' 4") Mono boom, 4.0 m (13' 1") Arm.



- Lifting capacity is based on SAE J1097, ISO 10567. **without Grappler.**
 - Load point is the end pin point of front attachment.
 - Lifting capacity does not exceed 75% of tipping load or 87% of hydraulic capacity.
 - Lifting capacity is based on 350k system pressure therefore boost condition may have more lifting force.
- ※The StraightArm has its bucket cylinder and the link in real.

SPECIAL ATTACHMENT

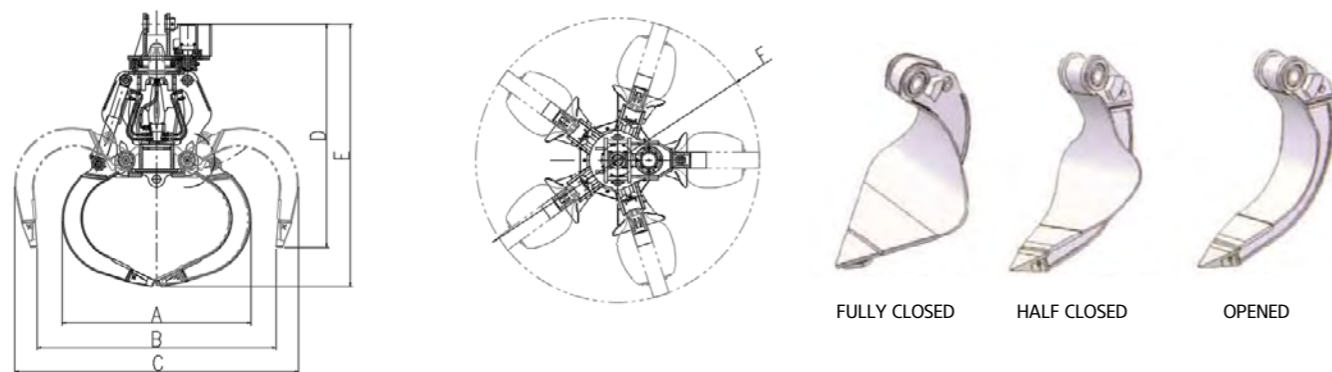
MEMO



ORANGE GRAPPLER

Unit : mm

MACHINE	TYPE	CAPACITY	A	B	C	D	E	F	WEIGHT
HW250 MH	HALF CLOSED (Hyd. Rotational)	0.6 cu.m (m ³)	1,526	1,934	2,297	1,806	2,120	∅2297	1,460kg



MEMO

MEMO